

A/B-C-D • CAST IRON SHEAVES

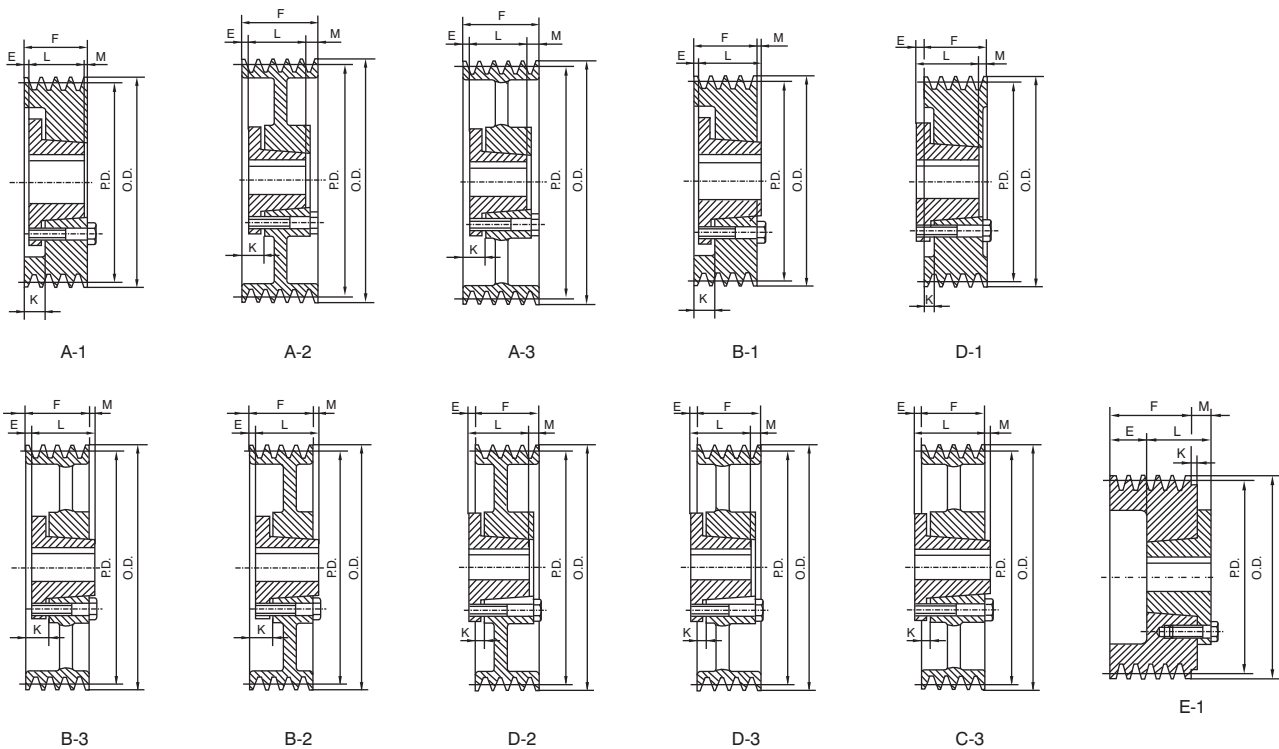


LEESON offers a comprehensive line of A/B-C-D pulleys for "Quick Detachable" (QD) taper bushings.

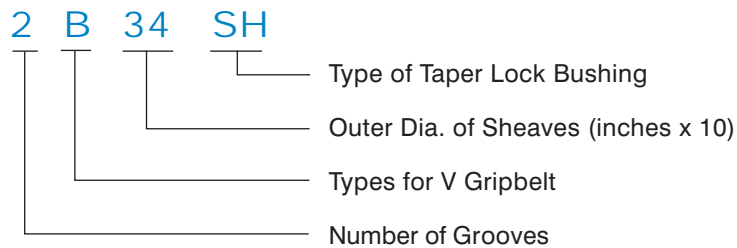
Also referred to as classical V-Belt sheaves each item is made under ISO quality assurance systems.

Features:

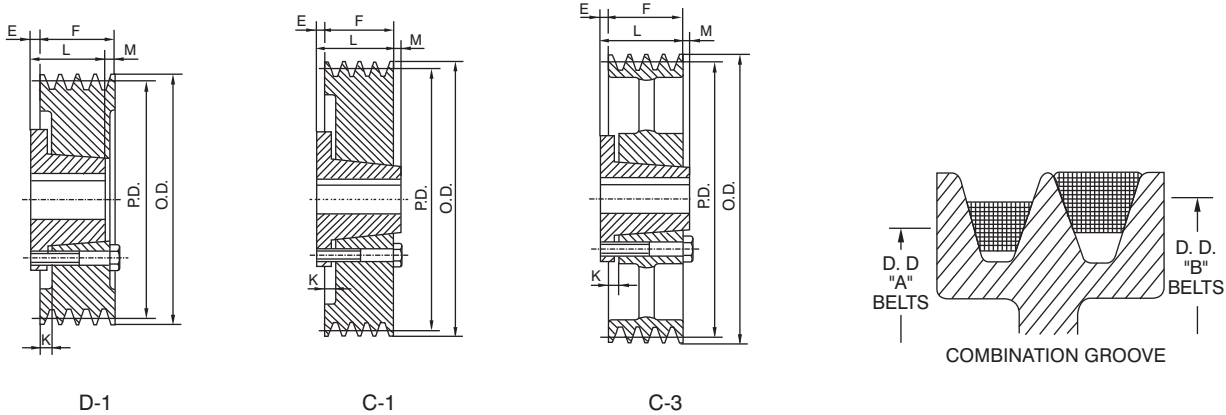
- GG25 high performance cast iron
- Precision CNC machining
- Precision balancing to 06.3



NOMENCLATURE FOR TAPER-LOCK SHEAVES FOR STANDARD NARROW V BELT



A/B-C-D

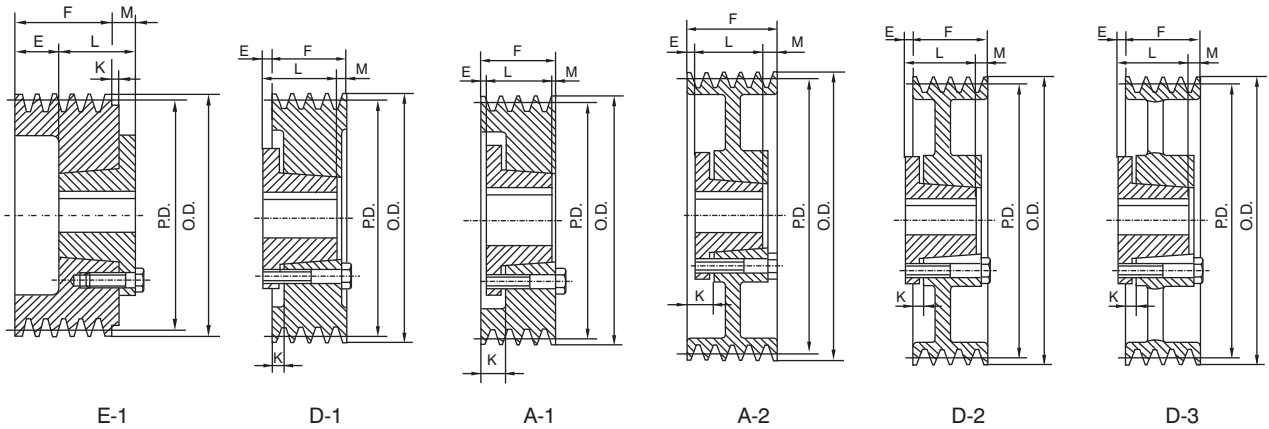


A/B-1

F = 1" (25.40mm)

Part No.	P.D.		O.D.	Bush	Type	Bush Max. Bore	E	K	L	M	Wgt. Less Bush
	A Belt	B Belt									
1 B 34 SH	3.00	3.40	3.75	SH	D 1	11/16	9/16	—	15/16	1/8	1.2
1 B 36 SH	3.20	3.60	3.95	SH	D 1	11/16	9/16	—	15/16	1/8	1.3
1 B 38 SH	3.40	3.80	4.15	SH	D 1	11/16	9/16	—	15/16	1/8	1.6
1 B 40 SH	3.60	4.00	4.35	SH	C 1	11/16	1/4	5/16	15/16	3/16	1.8
1 B 42 SH	3.80	4.20	4.55	SH	C 1	11/16	1/4	5/16	15/16	3/16	2.0
1 B 44 SH	4.00	4.40	4.75	SH	C 1	11/16	1/4	5/16	15/16	3/16	2.2
1 B 46 SDS	4.20	4.60	4.95	SDS	C 1	2	5/16	5/16	13/8	3/16	2.4
1 B 48 SDS	4.40	4.80	5.15	SDS	C 1	2	5/16	5/16	13/8	3/16	2.6
1 B 50 SDS	4.60	5.00	5.35	SDS	C 1	2	5/16	5/16	13/8	3/16	3.0
1 B 52 SDS	4.80	5.20	5.55	SDS	C 1	2	5/16	5/16	13/8	3/16	3.4
1 B 54 SDS	5.00	5.40	5.75	SDS	C 1	2	5/16	5/16	13/8	3/16	3.8
1 B 56 SDS	5.20	5.60	5.95	SDS	C 1	2	5/16	5/16	13/8	3/16	4.0
1 B 58 SDS	5.40	5.80	6.15	SDS	C 1	2	5/16	5/16	13/8	3/16	4.4
1 B 60 SDS	5.60	6.00	6.35	SDS	C 1	2	5/16	5/16	13/8	3/16	4.6
1 B 62 SDS	5.80	6.20	6.55	SDS	C 2*	2	5/16	5/16	13/8	3/16	4.8
1 B 64 SDS	6.00	6.40	6.75	SDS	C 2*	2	5/16	5/16	13/8	3/16	5.0
1 B 66 SDS	6.20	6.60	6.95	SDS	C 2*	2	5/16	5/16	13/8	3/16	5.4
1 B 68 SDS	6.40	6.80	7.15	SDS	C 2*	2	5/16	5/16	13/8	3/16	5.6
1 B 70 SDS	6.60	7.00	7.35	SDS	C 2*	2	1/2	1/8	13/8	1/8	6.0
1 B 74 SDS	7.00	7.40	7.75	SDS	C 2*	2	1/2	1/8	13/8	1/8	6.3
1 B 80 SDS	7.60	8.00	8.35	SDS	C 3	2	1/2	1/8	13/8	1/8	6.6
1 B 86 SDS	8.20	8.60	8.95	SDS	C 3	2	1/2	1/8	13/8	1/8	7.0
1 B 94 SDS	9.00	9.40	9.75	SDS	C 3	2	1/2	1/8	13/8	1/8	8.0
1 B 110 SDS	10.60	11.00	11.35	SDS	C 3	2	1/2	1/8	13/8	1/8	10.0
1 B 124 SDS	12.00	12.40	12.75	SDS	C 3	2	1/2	1/8	13/8	1/8	12.0
1 B 136 SDS	13.20	13.60	13.95	SDS	C 3	2	1/2	1/8	13/8	1/8	14.0
1 B 154 SK	15.00	15.40	15.75	SK	C 3	25/8	9/16	1/8	115/16	3/8	17.0
1 B 160 SK	15.60	16.00	16.35	SK	C 3	25/8	9/16	1/8	115/16	3/8	18.0
1 B 184 SK	18.00	18.40	18.75	SK	C 3	25/8	9/16	1/8	115/16	3/8	20.0
1 B 200 SK	19.60	20.00	20.35	SK	C 3	25/8	9/16	1/8	115/16	3/8	23.0

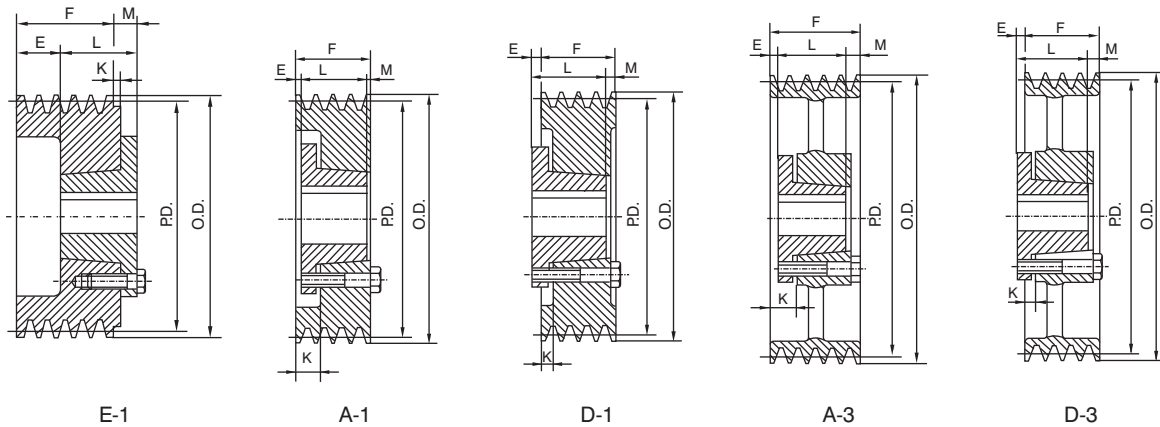
* Contact LEESON for drawing



A/B-2

F = 1 3/4" (44.45mm)

Part No.	P.D.		O.D.	Bush	Type	Bush Max. Bore	E	K	L	M	Wgt. Less Bush
	A Belt	B Belt									
2 B 34 SH	3.00	3.40	3.75	SH	E 1	1 11/16	1	—	1 5/16	9/16	1.0
2 B 36 SH	3.20	3.60	3.95	SH	D 1	1 11/16	3/8	3/16	1 5/16	13/16	1.4
2 B 38 SH	3.40	3.80	4.15	SH	D 1	1 11/16	3/8	3/16	1 5/16	13/16	1.8
2 B 40 SH	3.60	4.00	4.35	SH	A 1	1 11/16	1/8	1 1/16	1 5/16	5/16	2.0
2 B 42 SH	3.80	4.20	4.55	SH	A 1	1 11/16	1/8	1 1/16	1 5/16	5/16	2.5
2 B 44 SH	4.00	4.40	4.75	SH	A 1	1 11/16	1/8	1 1/16	1 5/16	5/16	2.8
2 B 46 SDS	4.20	4.60	4.95	SDS	A 1	2	1/16	1 1/16	1 3/8	5/16	4.8
2 B 48 SDS	4.40	4.80	5.15	SDS	A 1	2	1/16	1 1/16	1 3/8	5/16	5.0
2 B 50 SDS	4.60	5.00	5.35	SDS	A 1	2	1/16	1 1/16	1 3/8	5/16	5.4
2 B 52 SDS	4.80	5.20	5.55	SDS	A 1	2	1/16	1 1/16	1 3/8	5/16	5.6
2 B 54 SDS	5.00	5.40	5.75	SDS	A 1	2	1/16	1 1/16	1 3/8	5/16	5.8
2 B 56 SDS	5.20	5.60	5.95	SDS	A 2	2	1/16	1 1/16	1 3/8	5/16	6.0
2 B 58 SDS	5.40	5.80	6.15	SDS	A 2	2	1/16	1 1/16	1 3/8	5/16	7.0
2 B 60 SDS	5.60	6.00	6.35	SDS	A 2	2	1/16	1 1/16	1 3/8	5/16	7.5
2 B 62 SDS	5.80	6.20	6.55	SDS	A 2	2	1/16	1 1/16	1 3/8	5/16	7.8
2 B 64 SDS	6.00	6.40	6.75	SDS	A 2	2	1/16	1 1/16	1 3/8	5/16	8.0
2 B 66 SDS	6.20	6.60	6.95	SDS	A 2	2	1/16	1 1/16	1 3/8	5/16	9.0
2 B 68 SDS	6.40	6.80	7.15	SDS	A 2	2	1/16	1 1/16	1 3/8	5/16	9.5
2 B 70 SK	6.60	7.00	7.35	SK	D 2	2 5/8	1/4	7/16	1 15/16	1/16	9.8
2 B 74 SK	7.00	7.40	7.75	SK	D 2	2 5/8	1/4	7/16	1 15/16	1/16	11.0
2 B 80 SK	7.60	8.00	8.35	SK	D 2	2 5/8	1/4	7/16	1 15/16	1/16	12.0
2 B 86 SK	8.20	8.60	8.95	SK	D 3	2 5/8	1/4	7/16	1 15/16	1/16	13.0
2 B 94 SK	9.00	9.40	9.75	SK	D 3	2 5/8	1/4	7/16	1 15/16	1/16	14.0
2 B 110 SK	10.60	11.00	11.35	SK	D 3	2 5/8	1/4	7/16	1 15/16	1/16	15.0
2 B 124 SK	12.00	12.40	12.75	SK	D 3	2 5/8	1/4	7/16	1 15/16	1/16	17.0
2 B 136 SK	13.20	13.60	13.95	SK	D 3	2 5/8	1/4	7/16	1 15/16	1/16	19.0
2 B 154 SK	15.00	15.40	15.75	SK	D 3	2 5/8	1/4	7/16	1 15/16	1/16	22.0
2 B 160 SK	15.60	16.00	16.35	SK	D 3	2 5/8	1/4	7/16	1 15/16	1/16	25.0
2 B 184 SK	18.00	18.40	18.75	SK	D 3	2 5/8	1/4	7/16	1 15/16	1/16	30.0
2 B 200 SF	19.60	20.00	20.35	SF	D 3	2 15/16	5/16	3/8	2 1/16	—	39.0
2 B 250 SF	24.60	25.00	25.35	SF	D 3	2 15/16	5/16	3/8	2 1/16	—	61.0
2 B 300 SF	29.60	30.00	30.35	SF	D 3	2 15/16	5/16	3/8	2 1/16	—	64.0
2 B 380 SF	37.60	38.00	38.35	SF	D 3	2 15/16	5/16	3/8	2 1/16	—	86.0

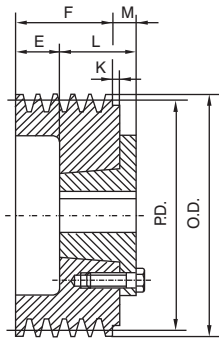


A/B-3

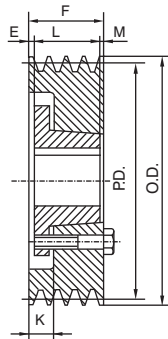
F=2 1/2" (63.50mm)

Part No.	P.D.		O.D.	Bush	Type	Bush Max. Bore	E	K	L	M	Wgt. Less Bush
	A Belt	B Belt									
3 B 34 SH	3.00	3.40	3.75	SH	E1	1 11/16	13/4	—	15/16	9/16	3.4
3 B 36 SH	3.20	3.60	3.95	SH	D1	1 11/16	3/8	3/16	15/16	19/16	3.8
3 B 38 SH	3.40	3.80	4.15	SH	D1	1 11/16	3/8	3/16	15/16	19/16	4.0
3 B 40 SH	3.60	4.00	4.35	SH	A1	1 11/16	1/2	1 1/16	15/16	11/16	4.5
3 B 42 SH	3.80	4.20	4.55	SH	A1	1 11/16	1/2	1 1/16	15/16	11/16	5.0
3 B 44 SH	4.00	4.40	4.75	SH	A1	1 11/16	1/2	1 1/16	15/16	11/16	5.5
3 B 46 SD	4.20	4.60	4.95	SD	A1	2	7/16	1 1/16	1 13/16	1/4	6.0
3 B 48 SD	4.40	4.80	5.15	SD	A1	2	7/16	1 1/16	1 13/16	1/4	6.5
3 B 50 SD	4.60	5.00	5.35	SD	A1	2	7/16	1 1/16	1 13/16	1/4	7.0
3 B 52 SD	4.80	5.20	5.55	SD	A1	2	7/16	1 1/16	1 13/16	1/4	8.0
3 B 54 SD	5.00	5.40	5.75	SD	A1	2	7/16	1 1/16	1 13/16	1/4	8.5
3 B 56 SD	5.20	5.60	5.95	SD	A1	2	7/16	1 1/16	1 13/16	1/4	9.0
3 B 58 SD	5.40	5.80	6.15	SD	A1	2	7/16	1 1/16	1 13/16	1/4	10.0
3 B 60 SD	5.60	6.00	6.35	SD	A1	2	7/16	1 1/16	1 13/16	1/4	11.0
3 B 62 SD	5.80	6.20	6.55	SD	A1	2	7/16	1 1/16	1 13/16	1/4	12.0
3 B 64 SD	6.00	6.40	6.75	SD	A1	2	7/16	1 1/16	1 13/16	1/4	12.36
3 B 66 SD	6.20	6.60	6.95	SD	A1	2	7/16	1 1/16	1 13/16	1/4	12.6
3 B 68 SD	6.40	6.80	7.15	SD	A1	2	7/16	1 1/16	1 13/16	1/4	13.0
3 B 70 SK	6.60	7.00	7.35	SK	A1	2 5/8	—	1 1/16	1 15/16	9/16	14.0
3 B 74 SK	7.00	7.40	7.75	SK	A1	2 5/8	—	1 1/16	1 15/16	9/16	15.0
3 B 80 SK	7.60	8.00	8.35	SK	A1	2 5/8	—	1 1/16	1 15/16	9/16	16.0
3 B 86 SK	8.20	8.60	8.95	SK	A3	2 5/8	—	1 1/16	1 15/16	9/16	17.0
3 B 94 SK	9.00	9.40	9.75	SK	A3	2 5/8	—	1 1/16	1 15/16	9/16	18.0
3 B 110 SK	10.60	11.00	11.35	SK	A3	2 5/8	—	1 1/16	1 15/16	9/16	19.0
3 B 124 SK	12.00	12.40	12.75	SK	A3	2 5/8	—	1 1/16	1 15/16	9/16	22.0
3 B 136 SK	13.20	13.60	13.95	SK	A3	2 5/8	—	1 1/16	1 15/16	9/16	24.1
3 B 154 SK	15.00	15.40	15.75	SK	A3	2 5/8	—	1 1/16	1 15/16	9/16	28.0
3 B 160 SK	15.60	16.00	16.35	SK	A3	2 5/8	—	1 1/16	1 15/16	9/16	29.0
3 B 184 SK	18.00	18.40	18.75	SK	A3	2 5/8	—	1 1/16	1 15/16	9/16	37.0
3 B 200 SF	19.60	20.00	20.35	SF	D3	2 5/16	1/16	5/8	2 1/16	1/2	39.0
3 B 250 SF	24.60	25.00	25.35	SF	D3	2 5/16	1/16	5/8	2 1/16	1/2	67.0
3 B 300 SF	29.60	30.00	30.35	SF	D3	2 5/16	1/16	5/8	2 1/16	1/2	74.0
3 B 380 E	37.60	38.00	38.35	E	D3	3 1/2	1/4	5/8	2 5/8	1/8	122.0

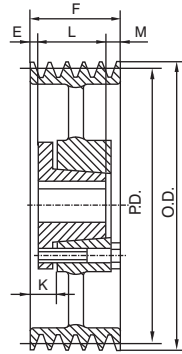
FOR QTL TAPER BUSHING - SEE PAGE 10



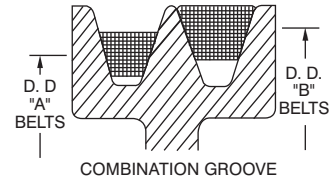
E-1



A-1



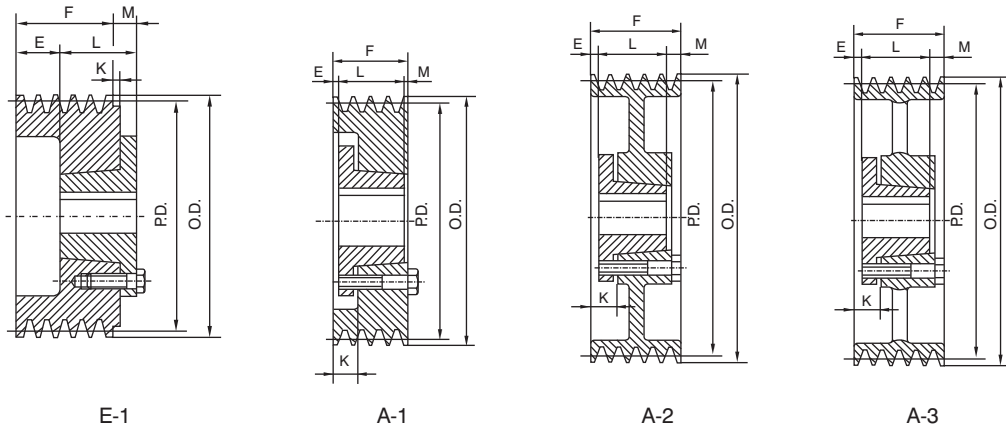
A-3



A/B-4

F=3 1/4" (82.55mm)

Part No.	P.D.		O.D.	Bush	Type	Bush Max. Bore	E	K	L	M	Wgt. Less Bush
	A Belt	B Belt									
4 B 34 SD	3.00	3.40	3.75	SD	E1	2	23/8	5/16	1 13/16	15/16	4
4 B 36 SD	3.20	3.60	3.95	SD	E1	2	23/8	5/16	1 13/16	15/16	5
4 B 38 SD	3.40	3.80	4.15	SD	E1	2	23/8	5/16	1 13/16	15/16	5
4 B 40 SD	3.60	4.00	4.35	SD	E1	2	21/16	—	1 13/16	5/8	6
4 B 42 SD	3.80	4.20	4.55	SD	E1	2	21/16	—	1 13/16	5/8	7
4 B 44 SD	4.00	4.40	4.75	SD	E1	2	21/16	—	1 13/16	5/8	7
4 B 46 SD	4.20	4.60	4.95	SD	A1	2	11/16	15/16	1 13/16	3/4	7
4 B 48 SD	4.40	4.80	5.15	SD	A1	2	11/16	15/16	1 13/16	3/4	8
4 B 50 SD	4.60	5.00	5.35	SD	A1	2	11/16	15/16	1 13/16	3/4	9
4 B 52 SD	4.80	5.20	5.55	SD	A1	2	11/16	15/16	1 13/16	3/4	10.0
4 B 54 SD	5.00	5.40	5.75	SD	A1	2	11/16	15/16	1 13/16	3/4	10.5
4 B 56 SD	5.20	5.60	5.95	SD	A1	2	11/16	15/16	1 13/16	3/4	11.0
4 B 58 SD	5.40	5.80	6.15	SD	A1	2	11/16	15/16	1 13/16	3/4	12.0
4 B 60 SD	5.60	6.00	6.35	SD	A1	2	11/16	15/16	1 13/16	3/4	12.5
4 B 62 SD	5.80	6.20	6.55	SD	A1	2	11/16	15/16	1 13/16	3/4	13.0
4 B 64 SD	6.00	6.40	6.75	SD	A1	2	11/16	15/16	1 13/16	3/4	14.0
4 B 66 SD	6.20	6.60	6.95	SD	A1	2	11/16	15/16	1 13/16	3/4	14.5
4 B 68 SD	6.40	6.80	7.15	SD	A1	2	11/16	15/16	1 13/16	3/4	15.0
4 B 70 SK	6.60	7.00	7.35	SK	A1	25/8	5/16	1	1 15/16	1	15.5
4 B 74 SK	7.00	7.40	7.75	SK	A1	25/8	5/16	1	1 15/16	1	16.0
4 B 80 SK	7.60	8.00	8.35	SK	A1	25/8	5/16	1	1 15/16	1	17.0
4 B 86 SK	8.20	8.60	8.95	SK	A3	25/8	5/16	1	1 15/16	1	18.0
4 B 94 SK	9.00	9.40	9.75	SK	A3	25/8	5/16	1	1 15/16	1	19.0
4 B 110 SK	10.60	11.00	11.35	SK	A3	25/8	5/16	1	1 15/16	1	24.0
4 B 124 SK	12.00	12.40	12.75	SK	A3	25/8	5/16	1	1 15/16	1	26.0
4 B 136 SK	13.20	13.60	13.95	SK	A3	25/8	5/16	1	1 15/16	1	28.0
4 B 154 SF	15.00	15.40	15.75	SF	A3	25/16	5/16	1	2 1/16	7/8	41.0
4 B 160 SF	15.60	16.00	16.35	SF	A3	25/16	5/16	1	2 1/16	7/8	42.0
4 B 184 SF	18.00	18.40	18.75	SF	A3	25/16	5/16	1	2 1/16	7/8	48.0
4 B 200 SF	19.60	20.00	20.35	SF	A3	25/16	5/16	1	2 1/16	7/8	58.0
4 B 250 E	24.60	25.00	25.35	E	A3	31/2	1/8	1	2 5/8	1/2	78.0
4 B 300 E	29.60	30.00	30.35	E	A3	31/2	1/8	1	2 5/8	1/2	93.0
4 B 380 E	37.60	38.00	38.35	E	A3	31/2	1/8	1	2 5/8	1/2	138

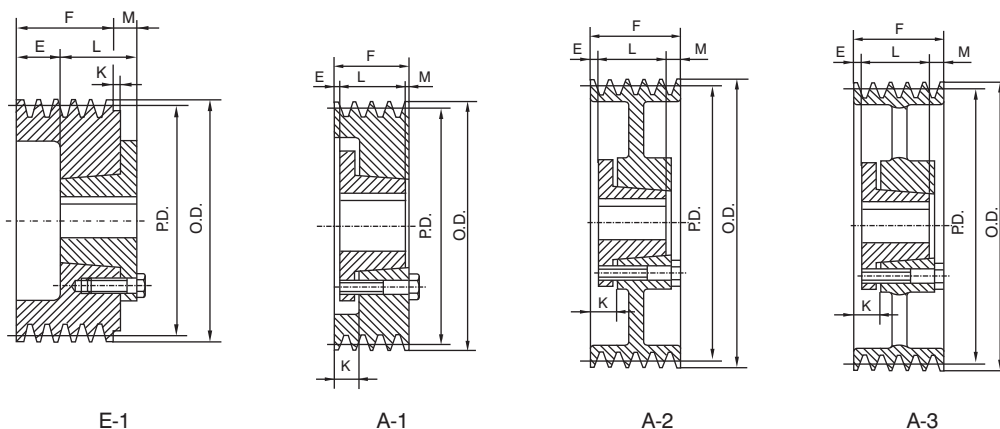


A/B-5

F=4" (101.60mm)

Part No.	P.D.		O.D.	Bush	Type	Bush Max. Bore	E	K	L	M	Wgt. Less Bush
	A Belt	B Belt									
5 B 34 SD	3.00	3.40	3.75	SD	E1	2	3/4	7/16	1 13/16	1 1/16	5.0
5 B 36 SD	3.20	3.60	3.95	SD	E1	2	3/4	7/16	1 13/16	1 1/16	6.0
5 B 38 SD	3.40	3.80	4.15	SD	E1	2	3/8	5/16	1 13/16	15/16	6.5
5 B 40 SD	3.60	4.00	4.35	SD	E1	2	2 13/16	—	1 13/16	5/8	7.0
5 B 42 SD	3.80	4.20	4.55	SD	E1	2	2 13/16	—	1 13/16	5/8	7.5
5 B 44 SD	4.00	4.40	4.75	SD	E1	2	2 13/16	—	1 13/16	5/8	8.0
5 B 46 SD	4.20	4.60	4.95	SD	A1	2	1 1/16	15/16	1 13/16	1 1/2	9.0
5 B 48 SD	4.40	4.80	5.15	SD	A1	2	1 1/16	15/16	1 13/16	1 1/2	9.5
5 B 50 SD	4.60	5.00	5.35	SD	A1	2	1 1/16	15/16	1 13/16	1 1/2	10.0
5 B 52 SD	4.80	5.20	5.55	SD	A1	2	1 1/16	15/16	1 13/16	1 1/2	10.5
5 B 54 SK	5.00	5.40	5.75	SK	A1	25/8	5/8	15/16	1 15/16	1 7/16	11.0
5 B 56 SK	5.20	5.60	5.95	SK	A1	25/8	5/8	15/16	1 15/16	1 7/16	11.5
5 B 58 SK	5.40	5.80	6.15	SK	A1	25/8	5/8	15/16	1 15/16	1 7/16	12.0
5 B 60 SK	5.60	6.00	6.35	SK	A1	25/8	5/8	15/16	1 15/16	1 7/16	13.0
5 B 62 SK	5.80	6.20	6.55	SK	A1	25/8	5/8	15/16	1 15/16	1 7/16	14.0
5 B 64 SK	6.00	6.40	6.75	SK	A1	25/8	5/8	15/16	1 15/16	1 7/16	15.0
5 B 66 SK	6.20	6.60	6.95	SK	A1	25/8	5/8	15/16	1 15/16	1 7/16	16.0
5 B 68 SK	6.40	6.80	7.15	SK	A1	25/8	5/8	15/16	1 15/16	1 7/16	17.0
5 B 70 SF	6.60	7.00	7.35	SF	A1	2 15/16	5/8	15/16	2 1/16	15/16	18.0
5 B 74 SF	7.00	7.40	7.75	SF	A1	2 15/16	5/8	15/16	2 1/16	15/16	20.0
5 B 80 SF	7.60	8.00	8.35	SF	A1	2 15/16	5/8	15/16	2 1/16	15/16	23.0
5 B 86 SF	8.20	8.60	8.95	SF	A2	2 15/16	5/8	15/16	2 1/16	15/16	24.0
5 B 94 SF	9.00	9.40	9.75	SF	A2	2 15/16	5/8	15/16	2 1/16	15/16	26.0
5 B 110 SF	10.60	11.00	11.35	SF	A2	2 15/16	5/8	15/16	2 1/16	15/16	32.0
5 B 124 SF	12.00	12.40	12.75	SF	A3	2 15/16	5/8	15/16	2 1/16	15/16	35.0
5 B 136 SF	13.20	13.60	13.95	SF	A3	2 15/16	5/8	15/16	2 1/16	15/16	36.0
5 B 154 SF	15.00	15.40	15.75	SF	A3	2 15/16	5/8	15/16	2 1/16	15/16	46.0
5 B 160 SF	15.60	16.00	16.35	SF	A3	2 15/16	5/8	15/16	2 1/16	15/16	48.0
5 B 184 SF	18.00	18.40	18.75	SF	A3	2 15/16	5/8	15/16	2 1/16	15/16	50.0
5 B 200 E	19.60	20.00	20.35	E	A3	3 1/2	3/8	1 1/4	25/8	1	72.0
5 B 250 E	24.60	25.00	25.35	E	A3	3 1/2	3/8	1 1/4	25/8	1	90.0
5 B 300 E	29.60	30.00	30.35	E	A3	3 1/2	3/8	1 1/4	25/8	1	108
5 B 380 E	37.60	38.00	38.35	E	A3	3 1/2	3/8	1 1/4	25/8	1	145

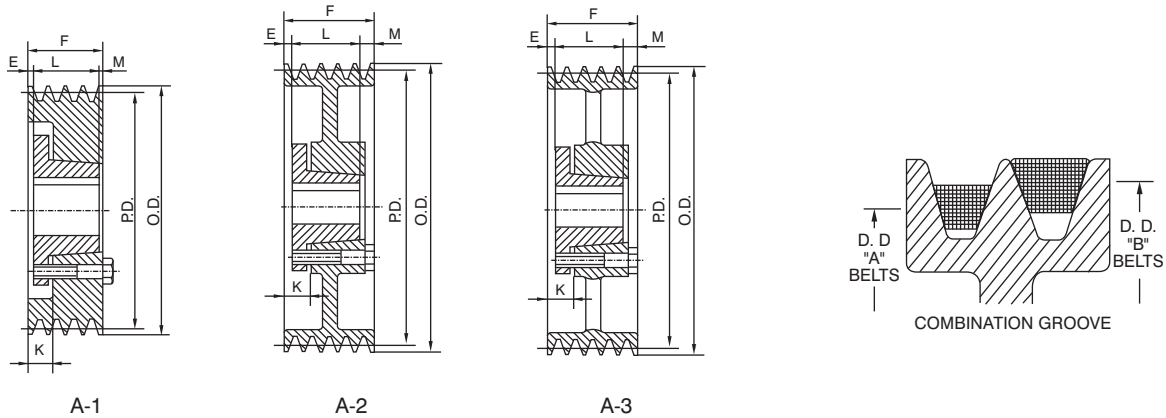
FOR QTL TAPER BUSHING - SEE PAGE 10



A/B-6

F=4 3/4" (120.65mm)

Part No.	P.D.		O.D.	Bush	Type	Bush Max. Bore	E	K	L	M	Wgt. Less Bush
	A Belt	B Belt									
6 B 34 SD	3.00	3.40	3.75	SD	E1	2	37/8	5/16	1 13/16	15/16	6.0
6 B 36 SD	3.20	3.60	3.95	SD	E1	2	37/8	5/16	1 13/16	13/16	7.0
6 B 38 SD	3.40	3.80	4.15	SD	E1	2	37/8	5/16	1 13/16	13/16	7.5
6 B 40 SD	3.60	4.00	4.35	SD	E1	2	39/16	—	1 13/16	5/8	8.0
6 B 42 SD	3.80	4.20	4.55	SD	E1	2	39/16	—	1 13/16	5/8	9.0
6 B 44 SD	4.00	4.40	4.75	SD	E1	2	39/16	—	1 13/16	5/8	9.5
6 B 46 SD	4.20	4.60	4.95	SD	A1	2	9/16	13/16	1 13/16	23/8	10.0
6 B 48 SD	4.40	4.80	5.15	SD	A1	2	21/4	13/16	1 13/16	23/8	10.5
6 B 50 SD	4.60	5.00	5.35	SD	A1	2	21/4	13/16	1 13/16	23/8	11.0
6 B 52 SD	4.80	5.20	5.55	SD	A1	2	21/4	13/16	1 13/16	23/8	11.5
6 B 54 SK	5.00	5.40	5.75	SK	A1	25/8	5/8	15/16	1 15/16	23/16	12.0
6 B 56 SK	5.20	5.60	5.95	SK	A1	25/8	5/8	15/16	1 15/16	23/16	13.0
6 B 58 SK	5.40	5.80	6.15	SK	A1	25/8	5/8	15/16	1 15/16	23/16	14.0
6 B 60 SK	5.60	6.00	6.35	SK	A1	25/8	5/8	15/16	1 15/16	23/16	15.0
6 B 62 SK	5.80	6.20	6.55	SK	A1	25/8	5/8	15/16	1 15/16	23/16	16.0
6 B 64 SK	6.00	6.40	6.75	SK	A1	25/8	5/8	15/16	1 15/16	23/16	17.0
6 B 66 SK	6.20	6.60	6.95	SK	A1	25/8	5/8	15/16	1 15/16	23/16	18.0
6 B 68 SK	6.40	6.80	7.15	SK	A1	25/8	5/8	15/16	1 15/16	23/16	19.0
6 B 70 SF	6.60	7.00	7.35	SF	A1	2 15/16	1	1 11/16	2 1/16	1 11/16	19.5
6 B 74 SF	7.00	7.40	7.75	SF	A1	2 15/16	1	1 11/16	2 1/16	1 11/16	22.0
6 B 80 SF	7.60	8.00	8.35	SF	A1	2 15/16	1	1 11/16	2 1/16	1 11/16	25.0
6 B 86 SF	8.20	8.60	8.95	SF	A2	2 15/16	1	1 11/16	2 1/16	1 11/16	28.0
6 B 94 SF	9.00	9.40	9.75	SF	A2	2 15/16	1	1 11/16	2 1/16	1 11/16	29.0
6 B 110 SF	10.60	11.00	11.35	SF	A2	2 15/16	1	1 11/16	2 1/16	1 11/16	30.0
6 B 124 SF	12.00	12.40	12.75	SF	A3	2 15/16	1	1 11/16	2 1/16	1 11/16	40.0
6 B 136 SF	13.20	13.60	13.95	SF	A3	2 15/16	1	1 11/16	2 1/16	1 11/16	45.0
6 B 154 SF	15.00	15.40	15.75	SF	A3	2 15/16	1	1 11/16	2 1/16	1 11/16	46.0
6 B 160 SF	15.60	16.00	16.35	SF	A3	2 15/16	1	1 11/16	2 1/16	1 11/16	50.0
6 B 184 SF	18.00	18.40	18.75	SF	A3	2 15/16	1	1 11/16	2 1/16	1 11/16	60.0
6 B 200 E	19.60	20.00	20.35	E	A3	3 1/2	1/2	13/8	25/8	15/8	78.0
6 B 250 E	24.60	25.00	25.35	E	A3	3 1/2	1/2	13/8	25/8	15/8	98.0
6 B 300 E	29.60	30.00	30.35	E	A3	3 1/2	1/2	13/8	25/8	15/8	109
6 B 380 E	37.60	38.00	38.35	E	A3	3 1/2	1/2	13/8	25/8	15/8	173



A/B-8

F=6 1/4"(158.75mm)

Part No.	P.D.		O.D.	Bush	Type	Bush Max Bore	E	K	L	M	Wgt. Less Bush
	A Belt	B Belt									
8 B 54 SK	5.00	5.40	5.75	SK	A1	25/8	1/8	1 13/16	1 15/16	3 3/16	14.0
8 B 56 SK	5.20	5.60	5.95	SK	A1	25/8	1/8	1 13/16	1 15/16	3 3/16	16.0
8 B 58 SK	5.40	5.80	6.15	SK	A1	25/8	1/8	1 13/16	1 15/16	3 3/16	16.5
8 B 60 SF	5.60	6.00	6.35	SF	A1	2 15/16	1/8	1 13/16	2 1/16	3 1/16	17.0
8 B 62 SF	5.80	6.20	6.55	SF	A1	2 15/16	1/8	1 13/16	2 1/16	3 1/16	18.0
8 B 64 SF	6.00	6.40	6.75	SF	A1	2 15/16	1/8	1 13/16	2 1/16	3 1/16	18.5
8 B 66 SF	6.20	6.60	6.95	SF	A1	2 15/16	1/8	1 13/16	2 1/16	3 1/16	21.0
8 B 68 SF	6.40	6.80	7.15	SF	A1	2 15/16	1/8	1 13/16	2 1/16	3 1/16	22.0
8 B 70 SF	6.60	7.00	7.35	SF	A1	2 15/16	1/8	1 13/16	2 1/16	3 1/16	22.5
8 B 74 SF	7.00	7.40	7.75	SF	A1	2 15/16	1/8	1 13/16	2 1/16	3 1/16	25.0
8 B 80 SF	7.60	8.00	8.35	SF	A1	2 15/16	1/8	1 13/16	2 1/16	3 1/16	29.0
8 B 86 E	8.20	8.60	8.95	E	A1	3 1/2	1/2	2 3/8	2 5/8	2 1/8	34.0
8 B 94 E	9.00	9.40	9.75	E	A1	3 1/2	1/2	2 3/8	2 5/8	2 1/8	40.0
8 B 110 E	10.60	11.00	11.35	E	A2	3 1/2	1/2	2 3/8	2 5/8	2 1/8	47.0
8 B 124 E	12.00	12.40	12.75	E	A3	3 1/2	1/2	2 3/8	2 5/8	2 1/8	52.0
8 B 136 E	13.20	13.60	13.95	E	A3	3 1/2	1/2	2 3/8	2 5/8	2 1/8	60.0
8 B 154 E	15.00	15.40	15.75	E	A3	3 1/2	1/2	2 3/8	2 5/8	2 1/8	82.0
8 B 160 E	15.60	16.00	16.35	E	A3	3 1/2	1/2	2 3/8	2 5/8	2 1/8	90.0
8 B 184 F	18.00	18.40	18.75	F	A3	3 15/16	5/16	1 5/16	3 5/8	2 5/16	110
8 B 200 F	19.60	20.00	20.35	F	A3	3 15/16	5/16	1 5/16	3 5/8	2 5/16	122
8 B 250 F	24.60	25.00	25.35	F	A3	3 15/16	5/16	1 5/16	3 5/8	2 5/16	138
8 B 300 F	29.60	30.00	30.35	F	A3	3 15/16	5/16	1 5/16	3 5/8	2 5/16	168
8 B 380 F	37.60	38.00	38.35	F	A3	3 15/16	5/16	1 5/16	3 5/8	2 5/16	222

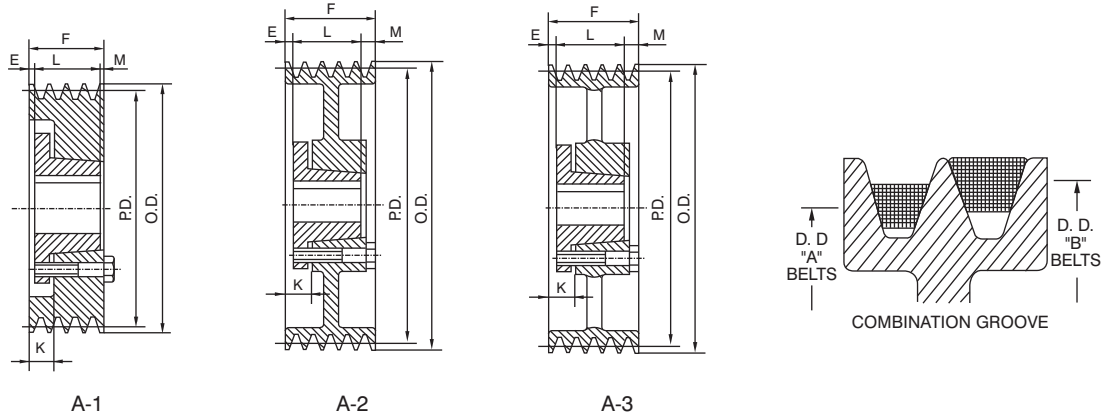
BORE RANGE FOR QTL BUSHING

Bush. Sym.	Min. Bore	Max. Bore with:		
		Full Keyway	Shallow Keyway	No Keyway
SH	1/2	1-3/8	1-5/8	1-11/16
SDS	1/2	1 5/8	1-15/16	2
SD	1/2	1 5/8	1-15/16	2
SK	1/2	2-1/8	2-1/2	2 5/8, 2 9/16
SF	1/2	2 1/4	2 7/8	2-15/16
E	7/8	2-7/8	3-1/2	—
F	1	3-1/4	3-15/16	4

STANDARD KEYWAY & KEY DIMENSION

Bores	Key Seat	Key
1/2-9/16	1/8x1/16	1/8x1/8
5/8-7/8	3/16x3/32	3/16x3/16
15/16-1 1/4	1/4x1/8	1/4x1/4
1 5/16-1 3/8	5/16x5/32	5/16x5/16
1 7/16-1 3/4	3/8x3/16	3/8x3/8
1 13/16-2 1/4	1/2x1/4	1/2x1/2
2 5/16-2 3/4	5/8x5/16	5/8x5/8
2 13/16-3 1/4	3/4x3/8	3/4x3/4
3 5/16-3 3/4	7/8x7/16	7/8x7/8
3 13/16-4 1/2	1x1/2	1x1

FOR QTL TAPER BUSHING - SEE PAGE 10



A/B-10

F = 7 3/4" (196.85mm)

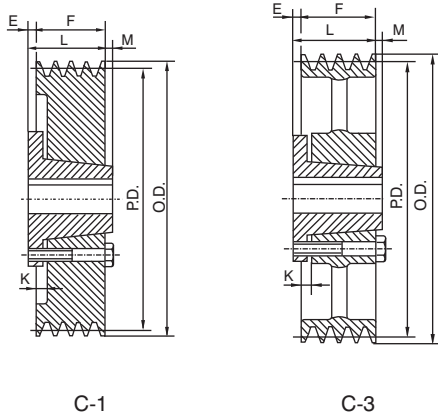
Part No.	P.D.		O.D.	Bush	Type	Bush Max Bore	E	K	L	M	Wgt. Less Bush
	A Belt	B Belt									
10 B 54 SK	5.00	5.40	5.75	SK	A1	25/8	17/8	29/16	115/16	315/16	15
10 B 56 SK	5.20	5.60	5.95	SK	A1	25/8	17/8	29/16	115/16	315/16	18
10 B 58 SK	5.40	5.80	6.15	SK	A1	25/8	17/8	29/16	115/16	315/16	20
10 B 60 SF	5.60	6.00	6.35	SF	A1	215/16	17/8	29/16	21/16	313/16	22
10 B 62 SF	5.80	6.20	6.55	SF	A1	215/16	17/8	29/16	21/16	313/16	24
10 B 64 SF	6.00	6.40	6.75	SF	A1	215/16	17/8	29/16	21/16	313/16	25
10 B 66 SF	6.20	6.60	6.95	SF	A1	215/16	17/8	29/16	21/16	313/16	26
10 B 68 SF	6.40	6.80	7.15	SF	A1	215/16	17/8	29/16	21/16	313/16	27
10 B 70 SF	6.60	7.00	7.35	SF	A1	215/16	17/8	29/16	21/16	313/16	28
10 B 74 SF	7.00	7.40	7.75	SF	A1	215/16	17/8	29/16	21/16	313/16	31
10 B 80 SF	7.60	8.00	8.35	SF	A1	215/16	17/8	29/16	21/16	313/16	35
10 B 86 E	8.20	8.60	8.95	E	A1	31/2	21/4	31/8	25/8	27/8	38
10 B 94 E	9.00	9.40	9.75	E	A1	31/2	21/4	31/8	25/8	27/8	45
10 B 110 E	10.60	11.00	11.35	E	A2	31/2	21/4	31/8	25/8	27/8	59
10 B 124 E	12.00	12.40	12.75	E	A3	31/2	21/4	31/8	25/8	27/8	63
10 B 136 F	13.20	13.60	13.95	F	A3	315/16	11/16	21/16	35/8	31/16	78
10 B 154 F	15.00	15.40	15.75	F	A3	315/16	11/16	21/16	35/8	31/16	90
10 B 160 F	15.60	16.00	16.35	F	A3	315/16	11/16	21/16	35/8	31/16	96
10 B 184 F	18.00	18.40	18.75	F	A3	315/16	11/16	21/16	35/8	31/16	113
10 B 200 F	19.60	20.00	20.35	F	A3	315/16	11/16	21/16	35/8	31/16	124
10 B 250 F	24.60	25.00	25.35	F	A3	315/16	11/16	21/16	35/8	31/16	138
10 B 300 F	29.60	30.00	30.35	F	A3	315/16	11/16	21/16	35/8	31/16	200
10 B 380 J	37.60	38.00	38.35	J	A3	41/2	3/8	19/16	41/2	27/8	279

BORE RANGE FOR QTL BUSHING

Bush. Sym.	Min. Bore	Max. Bore with:		
		Full Keyway	Shallow Keyway	No Keyway
SK	1/2	2-1/8	2-1/2	25/8, 29/16
SF	1/2	21/4	27/8	2-15/16
E	7/8	2-7/8	3-1/2	—
F	1	3-1/4	3-15/16	4
J	1-1/2	313/16	4-1/2	—

STANDARD KEYWAY & KEY DIMENSION

Bores	Key Seat	Key
1/2-9/16	1/8x1/16	1/8x1/8
5/8-7/8	3/16x3/32	3/16x3/16
15/16-11/4	1/4x1/8	1/4x1/4
15/16-13/8	5/16x5/32	5/16x5/16
17/16-13/4	3/8x3/16	3/8x3/8
113/16-21/4	1/2x1/4	1/2x1/2
25/16-23/4	5/8x5/16	5/8x5/8
213/16-31/4	3/4x3/8	3/4x3/4
35/16-33/4	7/8x7/16	7/8x7/8
313/16-41/2	1x1/2	1x1



BORE RANGE FOR QTL BUSHING

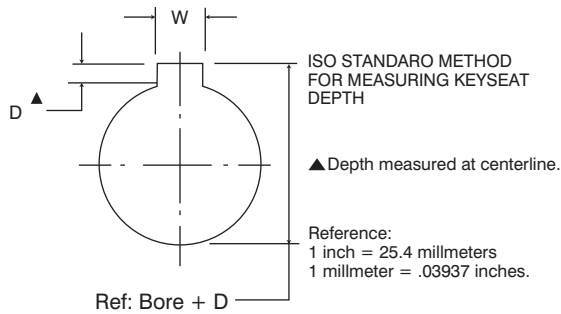
Bush. Sym.	Min. Bore	Max. Bore with:		
		Full Keyway	Shallow Keyway	No Keyway
SDS	1/2	15/8	1-15/16	2
SD	1/2	15/8	1-15/16	2
SK	1/2	2-1/8	2-1/2	25/8, 29/16
SF	1/2	2 1/4	2 7/8	2-15/16
E	7/8	2-7/8	3-1/2	—
F	1	3-1/4	3-15/16	4
J	1-1/2	3 13/16	4-1/2	—
M	2	4 11/16	5 1/2	—
N	2-7/16	5 1/16	5-7/8	—
P	2-15/16	5 13/16	7	—

C-1

F = 1 3/8" (34.93mm)

Part No.	O.D.	PD.	Bush Max Bore	Bush	Type	Db	E	K	L	M	Wgt. Less Bush
1 C 60 SK	6.40	6.00	25/8	SK	C1	—	9/16	1/8	1 15/16	—	9.4
1 C 70 SF	7.40	7.00	2 15/16	SF	C1	—	9/16	1/8	2 1/16	1/8	9.8
1 C 75 SF	7.90	7.50	2 15/16	SF	C1	—	9/16	1/8	2 1/16	1/8	11.0
1 C 80 SF	8.40	8.00	2 15/16	SF	C1	—	9/16	1/8	2 1/16	1/8	13.0
1 C 85 SF	8.90	8.50	2 15/16	SF	C1	—	9/16	1/8	2 1/16	1/8	13.2
1 C 90 SF	9.40	9.00	2 15/16	SF	C2	5	9/16	1/8	2 1/16	1/8	13.5
1 C 95 SF	9.90	9.50	2 15/16	SF	C3	5	9/16	1/8	2 1/16	1/8	13.8
1 C 100 SF	10.40	10.00	2 15/16	SF	C3	5	9/16	1/8	2 1/16	1/8	14.0
1 C 105 SF	10.90	10.50	2 15/16	SF	C3	5	9/16	1/8	2 1/16	1/8	15.0
1 C 110 SF	11.40	11.00	2 15/16	SF	C3	5	9/16	1/8	2 1/16	1/8	15.8
1 C 120 SF	12.40	12.00	2 15/16	SF	C3	5	9/16	1/8	2 1/16	1/8	17.0
1 C 130 SF	13.40	13.00	2 15/16	SF	C3	5	9/16	1/8	2 1/16	1/8	18.0
1 C 140 SF	14.40	14.00	2 15/16	SF	C3	5	9/16	1/8	2 1/16	1/8	20.0
1 C 150 SF	15.40	15.00	2 15/16	SF	C3	5	9/16	1/8	2 1/16	1/8	21.0
1 C 160 SF	16.40	16.00	2 15/16	SF	C3	5	9/16	1/8	2 1/16	1/8	24.0
1 C 180 SF	18.40	18.00	2 15/16	SF	C3	5	9/16	1/8	2 1/16	1/8	27.0
1 C 200 SF	20.40	20.00	2 15/16	SF	C3	5	9/16	1/8	2 1/16	1/8	31.0
1 C 240 SF	24.40	24.00	2 15/16	SF	C3	5	9/16	1/8	2 1/16	1/8	37.0

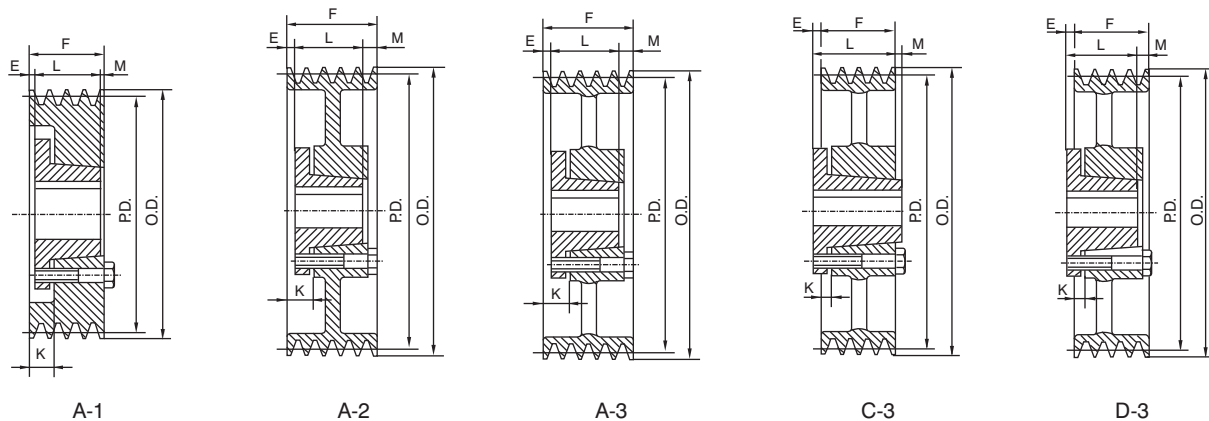
* Db = hub diameter



STANDARD KEYWAY & KEY DIMENSION

Bores	Key Seat	Key
1/2-9/16	1/8x1/16	1/8x1/8
5/8-7/8	3/16x3/32	3/16x3/16
15/16-1 1/4	1/4x1/8	1/4x1/4
1 5/16-1 3/8	5/16x5/32	5/16x5/16
1 7/16-1 3/4	3/8x3/16	3/8x3/8
1 13/16-2 1/4	1/2x1/4	1/2x1/2
2 5/16-2 3/4	5/8x5/16	5/8x5/8
2 13/16-3 1/4	3/4x3/8	3/4x3/4
3 5/16-3 3/4	7/8x7/16	7/8x7/8
3 13/16-4 1/2	1x1/2	1x1
4 9/16-5 1/2	1 1/4x5/8	1 1/4x1 1/4
5 9/16-6 1/2	1 1/2x3/4	1 1/2x1 1/2
6 9/16-7 1/2	1 3/4x7/8	1 3/4x1 3/4

Dimensions: inch



C-2

F=2 3/8" (60.33mm)

Part No.	O.D.	P.D.	Bush Max Bore	Bush	Type	Db	E	K	L	M	Wgt. Less Bush
2 C 60 SK	6.40	6.00	25/8	SK	A1	—	3/16	7/8	115/16	1/8	8.0
2 C 70 SF	7.40	7.00	215/16	SF	A1	—	1/8	13/16	21/16	3/16	12.0
2 C 75 SF	7.90	7.50	215/16	SF	A1	—	1/8	13/16	21/16	3/16	15.0
2 C 80 SF	8.40	8.00	215/16	SF	A1	—	1/8	13/16	21/16	3/16	16.0
2 C 85 SF	8.90	8.50	215/16	SF	A2	5	1/8	13/16	21/16	3/16	19.0
2 C 90 SF	9.40	9.00	215/16	SF	A2	5	1/8	13/16	21/16	3/16	19.5
2 C 95 SF	9.90	9.50	215/16	SF	A2	5	1/8	13/16	21/16	3/16	21.0
2 C 100 SF	10.40	10.00	215/16	SF	A2	5	1/8	13/16	21/16	3/16	22.0
2 C 105 SF	10.90	10.50	215/16	SF	A2	5	1/8	13/16	21/16	3/16	25.0
2 C 110 SF	11.40	11.00	215/16	SF	A3	5	1/8	13/16	21/16	3/16	26.0
2 C 120 SF	12.40	12.00	215/16	SF	D3	5	1/8	9/16	21/16	7/16	29.0
2 C 130 SF	13.40	13.00	215/16	SF	D3	5	1/8	9/16	21/16	7/16	31.0
2 C 140 SF	14.40	14.00	215/16	SF	D3	5	1/8	9/16	21/16	7/16	35.0
2 C 150 SF	15.40	15.00	215/16	SF	D3	5	1/8	9/16	21/16	7/16	39.0
2 C 160 SF	16.40	16.00	215/16	SF	D3	5	1/8	9/16	21/16	7/16	43.0
2 C 180 SF	18.40	18.00	215/16	SF	D3	5	1/8	9/16	21/16	7/16	48.0
2 C 200 SF	20.40	20.00	215/16	SF	D3	5	1/8	9/16	21/16	7/16	55.0
2 C 240 SF	24.40	24.00	215/16	SF	D3	5	1/8	9/16	21/16	7/16	65.0
2 C 270 F	27.40	27.00	315/16	F	C3	7	11/16	5/16	35/8	9/16	107
2 C 300 F	30.40	30.00	315/16	F	C3	7	11/16	5/16	35/8	9/16	115

BORE RANGE FOR QTL BUSHING

Bush. Sym.	Min. Bore	Max. Bore with:		
		Full Keyway	Shallow Keyway	No Keyway
SK	1/2	2-1/8	2-1/2	25/8, 29/16
SF	1/2	21/4	27/8	2-15/16
E	7/8	2-7/8	3-1/2	—
F	1	3-1/4	3-15/16	4
J	1-1/2	313/16	4-1/2	—
M	2	411/16	51/2	—
N	2-7/16	51/16	5-7/8	—
P	2-15/16	513/16	7	—

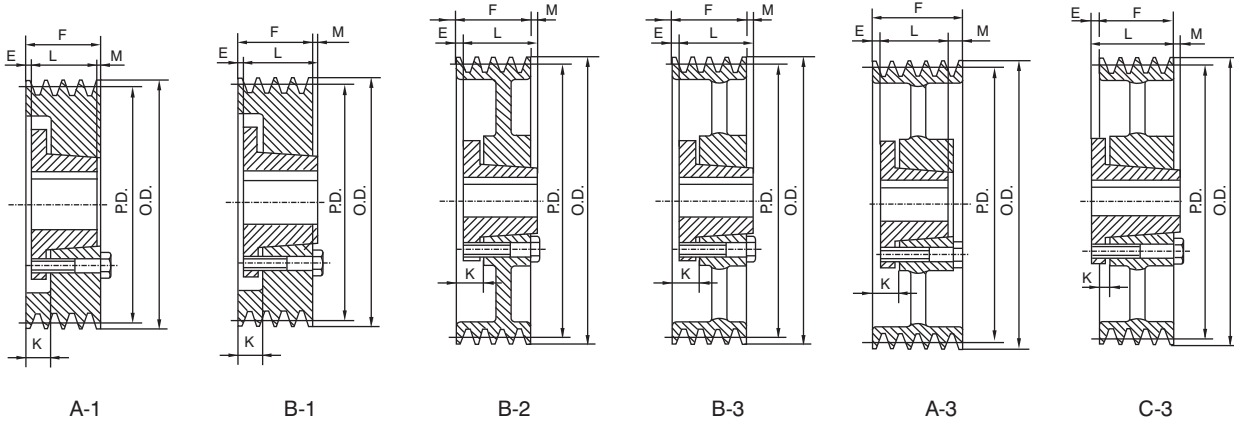
STANDARD KEYWAY & KEY DIMENSION

Bores	Key Seat	Key
1/2-9/16	1/8x1/16	1/8x1/8
5/8-7/8	3/16x3/32	3/16x3/16
15/16-11/4	1/4x1/8	1/4x1/4
15/16-13/8	5/16x5/32	5/16x5/16
17/16-13/4	3/8x3/16	3/8x3/8
113/16-21/4	1/2x1/4	1/2x1/2
25/16-23/4	5/8x5/16	5/8x5/8
213/16-31/4	3/4x3/8	3/4x3/4
35/16-33/4	7/8x7/16	7/8x7/8
313/16-41/2	1x1/2	1x1
49/16-51/2	11/4x5/8	11/4x11/4
59/16-61/2	11/2x3/4	11/2x11/2
69/16-71/2	13/4x7/8	13/4x13/4

Dimensions: inch

FOR QTL TAPER BUSHING - SEE PAGE 10

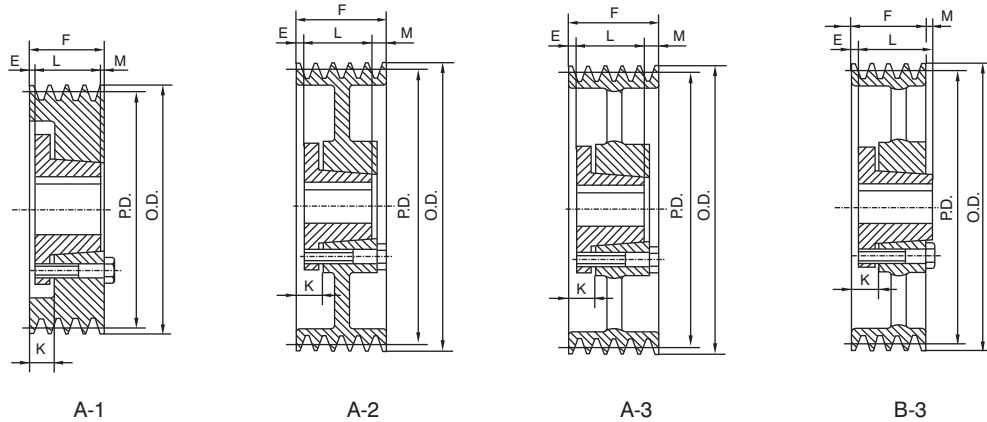
A/B-C-D



C-3

F = 3 3/8" (85.73mm)

Part No.	O.D.	PD.	Bush Max Bore	Bush	Type	Db	E	K	L	M	Wgt. Less Bush
3 C 50 SD	5.40	5.00	2	SD	A1	—	5/8	1 1/4	1 13/16	15/16	8.0
3 C 54 SD	5.80	5.40	2	SD	A1	—	11/16	1 5/16	1 13/16	7/8	9.0
3 C 55 SD	5.90	5.50	2	SD	A1	—	11/16	1 5/16	1 13/16	7/8	10
3 C 56 SD	6.00	5.60	2	SD	A1	—	11/16	1 5/16	1 13/16	7/8	11
3 C 60 SK	6.40	6.00	2 5/8	SK	A1	—	3/16	7/8	1 15/16	1 1/8	12
3 C 70 SF	7.40	7.00	2 15/16	SF	A1	—	5/8	1 5/16	2 1/16	1 1/16	14
3 C 75 SF	7.90	7.50	2 15/16	SF	A1	—	5/8	1 5/16	2 1/16	1 1/16	17
3 C 80 E	8.40	8.00	3 1/2	E	B1	—	7/8	1 3/4	2 5/8	1/8	19
3 C 85 E	8.90	8.50	3 1/2	E	B1	—	7/8	1 3/4	2 5/8	1/8	22
3 C 90 E	9.40	9.00	3 1/2	E	B1	—	7/8	1 3/4	2 5/8	1/8	26
3 C 95 E	9.90	9.50	3 1/2	E	B1	—	7/8	1 3/4	2 5/8	1/8	29
3 C 100 E	10.40	10.00	3 1/2	E	B2	6 1/4	7/8	1 3/4	2 5/8	1/8	31
3 C 105 E	10.90	10.50	3 1/2	E	B2	6 1/4	7/8	1 3/4	2 5/8	1/8	35
3 C 110 E	11.40	11.00	3 1/2	E	B2	6 1/4	7/8	1 3/4	2 5/8	1/8	38
3 C 120 E	12.40	12.00	3 1/2	E	B3	6 1/4	7/8	1 3/4	2 5/8	1/8	40
3 C 130 E	13.40	13.00	3 1/2	E	B3	6 1/4	7/8	1 3/4	2 5/8	1/8	43
3 C 140 E	14.40	14.00	3 1/2	E	B3	6 1/4	7/8	1 3/4	2 5/8	1/8	46
3 C 150 E	15.40	15.00	3 1/2	E	B3	6 1/4	7/8	1 3/4	2 5/8	1/8	52
3 C 160 E	16.40	16.00	3 1/2	E	B3	6 1/4	7/8	1 3/4	2 5/8	1/8	58
3 C 180 E	18.40	18.00	3 1/2	E	B3	6 1/4	7/8	1 3/4	2 5/8	1/8	67
3 C 200 E	20.40	20.00	3 1/2	E	A3	6 1/4	7/8	1	2 5/8	5/8	70
3 C 240 E	24.40	24.00	3 1/2	E	A3	6 1/4	7/8	1	2 5/8	5/8	90
3 C 270 F	27.40	27.00	3 15/16	F	C3	7	3/16	13/16	3 5/8	1/16	124
3 C 300 F	30.40	30.00	3 15/16	F	C3	7	3/16	13/16	3 5/8	1/16	130
3 C 360 F	36.40	36.00	3 15/16	F	C3	7	3/16	13/16	3 5/8	1/16	166
3 C 440 F	44.40	44.00	3 15/16	F	C3	7	3/16	13/16	3 5/8	1/16	208
3 C 500 F	50.40	50.00	3 15/16	F	C3	7	3/16	13/16	3 5/8	1/16	250

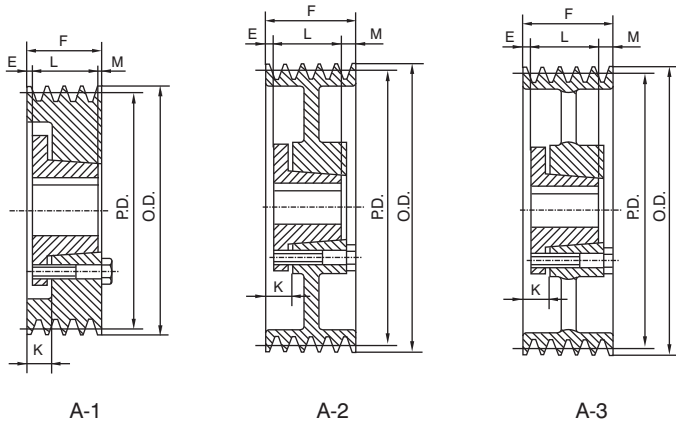


C-4

F = 4 3/8" (111.13mm)

Part No.	O.D.	P.D.	Bush Max Bore	Bush	Type	Db	E	K	L	M	Wgt. Less Bush
4 C 50 SD	5.40	5.00	2	SD	A1	—	5/8	1 1/4	1 13/16	1 15/16	10.0
4 C 54 SD	5.80	5.40	2	SD	A1	—	1 1/16	1 5/16	1 13/16	1 7/8	12.0
4 C 55 SD	5.90	5.50	2	SD	A1	—	1 1/16	1 5/16	1 13/16	1 7/8	12.4
4 C 56 SD	6.00	5.60	2	SD	A1	—	1 1/16	1 5/16	1 13/16	1 7/8	12.6
4 C 60 SK	6.40	6.00	2 5/8	SK	A1	—	3/16	7/8	1 15/16	2 1/8	12.8
4 C 70 SF	7.40	7.00	2 15/16	SF	A2	5	7/8	1 9/16	2 1/16	1 7/16	13.0
4 C 75 SF	7.90	7.50	2 15/16	SF	A2	5	7/8	1 9/16	2 1/16	1 7/16	19.0
4 C 80 E	8.40	8.00	3 1/2	E	A1	—	1 1/8	2	2 5/8	5/8	24.0
4 C 85 E	8.90	8.50	3 1/2	E	A1	—	1 1/8	2	2 5/8	5/8	27.0
4 C 90 E	9.40	9.00	3 1/2	E	A1	—	1 1/8	2	2 5/8	5/8	30.0
4 C 95 E	9.90	9.50	3 1/2	E	A1	—	1 1/8	2	2 5/8	5/8	33.0
4 C 100 E	10.40	10.00	3 1/2	E	A2	6 1/4	1 1/8	2	2 5/8	5/8	35.0
4 C 105 E	10.90	10.50	3 1/2	E	A2	6 1/4	1 1/8	2	2 5/8	5/8	40.0
4 C 110 E	11.40	11.00	3 1/2	E	A2	6 1/4	1 1/8	2	2 5/8	5/8	45.0
4 C 120 E	12.40	12.00	3 1/2	E	A2	6 1/4	1 1/8	2	2 5/8	5/8	48.0
4 C 130 E	13.40	13.00	3 1/2	E	A3	6 1/4	1 1/8	2	2 5/8	5/8	49.0
4 C 140 E	14.40	14.00	3 1/2	E	A3	6 1/4	1 1/8	2	2 5/8	5/8	56.0
4 C 150 E	15.40	15.00	3 1/2	E	A3	6 1/4	1 1/8	2	2 5/8	5/8	62.0
4 C 160 E	16.40	16.00	3 1/2	E	A3	6 1/4	1 1/8	2	2 5/8	5/8	68.0
4 C 180 E	18.40	18.00	3 1/2	E	A3	6 1/4	1 1/8	2	2 5/8	5/8	74.0
4 C 200 E	20.40	20.00	3 1/2	E	A3	6 1/4	5/8	1 1/2	2 5/8	1 1/8	81.0
4 C 240 F	24.40	24.00	3 15/16	F	A3	7	5/16	1 5/16	3 5/8	7/16	120
4 C 270 F	27.40	27.00	3 15/16	F	A3	7	5/16	1 5/16	3 5/8	7/16	138
4 C 300 F	30.40	30.00	3 15/16	F	A3	7	5/16	1 5/16	3 5/8	7/16	166
4 C 360 F	36.40	36.00	3 15/16	F	A3	7	5/16	1 5/16	3 5/8	7/16	176
4 C 440 J	44.40	44.00	4 1/2	J	B3	7 3/4	3/8	1 9/16	4 1/2	1/2	254
4 C 500 J	50.40	50.00	4 1/2	J	B3	7 3/4	3/8	1 9/16	4 1/2	1/2	318

A/B-C-D



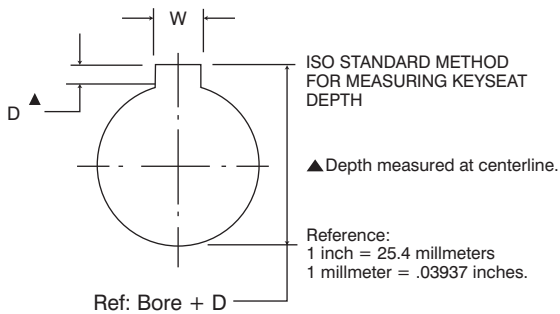
BORE RANGE FOR QTL BUSHING

Bush. Sym.	Min. Bore	Max. Bore with:		
		Full Keyway	Shallow Keyway	No Keyway
SF	1/2	2 1/4	2 7/8	2-15/16
E	7/8	2-7/8	3-1/2	—
F	1	3-1/4	3-15/16	4
J	1-1/2	3 13/16	4-1/2	—
M	2	4 11/16	5/1/2	—
N	2-7/16	5 1/16	5-7/8	—
P	2-15/16	5 13/16	7	—

C-5

F = 5 3/8" (136.53mm)

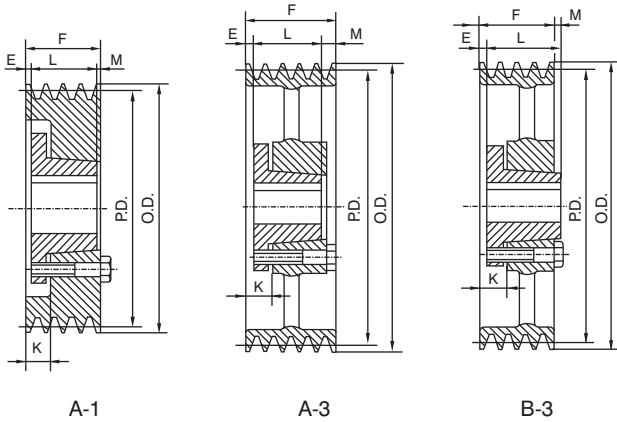
Part No.	O.D.	PD.	Bush Max Bore	Bush	Type	Db	E	K	L	M	Wgt. Less Bush
5 C 60 SK	6.40	6.00	25/8	SK	A1	—	3/16	7/8	1 15/16	3 1/8	14
5 C 70 SF	7.40	7.00	2 15/16	SF	A1	—	1 1/4	1 15/16	2 1/16	2 1/16	19
5 C 75 SF	7.90	7.50	2 15/16	SF	A1	—	1 1/4	1 15/16	2 1/16	2 1/16	22
5 C 80 E	8.40	8.00	3 1/2	E	A1	—	1 1/2	2 3/8	2 5/8	1 1/4	28
5 C 85 E	8.90	8.50	3 1/2	E	A1	—	1 1/2	2 3/8	2 5/8	1 1/4	31
5 C 90 E	9.40	9.00	3 1/2	E	A1	—	1 1/2	2 3/8	2 5/8	1 1/4	32
5 C 95 E	9.90	9.50	3 1/2	E	A1	—	1 1/2	2 3/8	2 5/8	1 1/4	36
5 C 100 E	10.40	10.00	3 1/2	E	A2	6 1/4	1 1/2	2 3/8	2 5/8	1 1/4	38
5 C 105 E	10.90	10.50	3 1/2	E	A2	6 1/4	1 1/2	2 3/8	2 5/8	1 1/4	43
5 C 110 E	11.40	11.00	3 1/2	E	A2	6 1/4	1 1/2	2 3/8	2 5/8	1 1/4	50
5 C 120 E	12.40	12.00	3 1/2	E	A2	6 1/4	1 1/2	2 3/8	2 5/8	1 1/4	55
5 C 130 E	13.40	13.00	3 1/2	E	A3	6 1/4	1 1/2	2 3/8	2 5/8	1 1/4	58
5 C 140 E	14.40	14.00	3 1/2	E	A3	6 1/4	1 1/2	2 3/8	2 5/8	1 1/4	61
5 C 150 E	15.40	15.00	3 1/2	E	A3	6 1/4	1 1/2	2 3/8	2 5/8	1 1/4	69
5 C 160 E	16.40	16.00	3 1/2	E	A3	6 1/4	1 1/2	2 3/8	2 5/8	1 1/4	75
5 C 180 E	18.40	18.00	3 1/2	E	A3	6 1/4	1 1/2	2 3/8	2 5/8	1 1/4	85
5 C 200 F	20.40	20.00	3 15/16	F	A3	7	15/16	1 5/16	3 5/8	1 7/16	108
5 C 240 F	24.40	24.00	3 15/16	F	A3	7	15/16	1 5/16	3 5/8	1 7/16	124
5 C 270 F	27.40	27.00	3 15/16	F	A3	7	15/16	1 5/16	3 5/8	1 7/16	154
5 C 300 F	30.40	30.00	3 15/16	F	A3	7	15/16	1 5/16	3 5/8	1 7/16	174
5 C 360 J	36.40	36.00	4 1/2	J	A3	7 3/4	3/8	1 9/16	4 1/2	1/2	226
5 C 440 J	44.40	44.00	4 1/2	J	A3	7 3/4	3/8	1 9/16	4 1/2	1/2	289
5 C 500 J	50.40	50.00	4 1/2	J	A3	7 3/4	3/8	1 9/16	4 1/2	1/2	316



STANDARD KEYWAY & KEY DIMENSION

Bores	Key Seat	Key
1/2-9/16	1/8x1/16	1/8x1/8
5/8-7/8	3/16x3/32	3/16x3/16
15/16-1 1/4	1/4x1/8	1/4x1/4
1 5/16-1 3/8	5/16x5/32	5/16x5/16
1 7/16-1 3/4	3/8x3/16	3/8x3/8
1 13/16-2 1/4	1/2x1/4	1/2x1/2
2 5/16-2 3/4	5/8x5/16	5/8x5/8
2 13/16-3 1/4	3/4x3/8	3/4x3/4
3 5/16-3 3/4	7/8x7/16	7/8x7/8
3 13/16-4 1/2	1x1/2	1x1
4 9/16-5 1/2	1 1/4x5/8	1 1/4x1 1/4

FOR QTL TAPER BUSHING - SEE PAGE 10



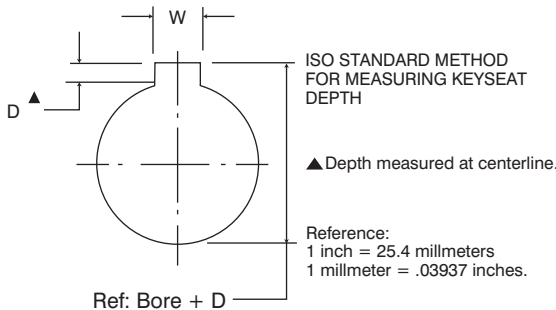
BORE RANGE FOR QTL BUSHING

Bush. Sym.	Min. Bore	Max. Bore with:		
		Full Keyway	Shallow Keyway	No Keyway
SF	1/2	2 1/4	2 7/8	2-15/16
E	7/8	2-7/8	3-1/2	—
F	1	3-1/4	3-15/16	4
J	1-1/2	3 13/16	4-1/2	—
M	2	4 11/16	5 1/2	—
N	2-7/16	5 1/16	5-7/8	—
P	2-15/16	5 13/16	7	—

C-6

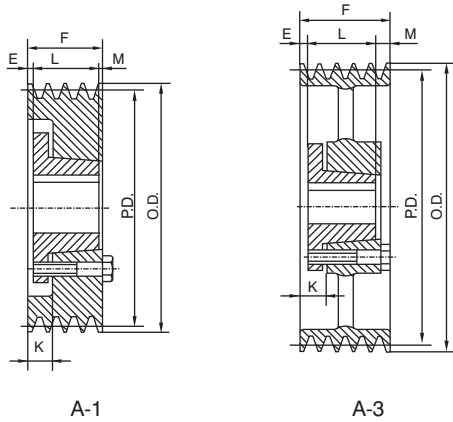
F = 6 3/8" (161.93mm)

Part No.	O.D.	P.D.	Bush Max Bore	Bush	Type	Db	E	K	L	M	Wgt. Less Bush
6 C 60 SK	6.40	6.00	2 5/8	SK	A1	—	3/16	7/8	1 15/16	4 1/8	16
6 C 70 SF	7.40	7.00	2 15/16	SF	A1	—	1 1/4	1 15/16	2 1/16	3 1/16	22
6 C 75 SF	7.90	7.50	2 15/16	SF	A1	—	1 1/4	1 15/16	2 1/16	3 1/16	25
6 C 80 E	8.40	8.00	3 1/2	E	A1	—	1 1/2	2 3/8	2 5/8	2 1/4	31
6 C 85 E	8.90	8.50	3 1/2	E	A1	—	1 1/2	2 3/8	2 5/8	2 1/4	35
6 C 90 F	9.40	9.00	3 15/16	F	A1	—	1 7/16	2 7/16	3 5/8	1 5/16	40
6 C 95 F	9.90	9.50	3 15/16	F	A1	—	1 7/16	2 7/16	3 5/8	1 5/16	44
6 C 100 F	10.40	10.00	3 15/16	F	A1	—	1 7/16	2 7/16	3 5/8	1 5/16	50
6 C 105 F	10.90	10.50	3 15/16	F	A1	—	1 7/16	2 7/16	3 5/8	1 5/16	56
6 C 110 F	11.40	11.00	3 15/16	F	A1	—	1 7/16	2 7/16	3 5/8	1 5/16	60
6 C 120 F	12.40	12.00	3 15/16	F	A3	7	1 7/16	2 7/16	3 5/8	1 5/16	65
6 C 130 F	13.40	13.00	3 15/16	F	A3	7	1 7/16	2 7/16	3 5/8	1 5/16	67
6 C 140 F	14.40	14.00	3 15/16	F	A3	7	1 7/16	2 7/16	3 5/8	1 5/16	75
6 C 150 F	15.40	15.00	3 15/16	F	A3	7	1 7/16	2 7/16	3 5/8	1 5/16	91
6 C 160 F	16.40	16.00	3 15/16	F	A3	7	1 7/16	2 7/16	3 5/8	1 5/16	98
6 C 180 F	18.40	18.00	3 15/16	F	A3	7	1 7/16	2 7/16	3 5/8	1 5/16	106
6 C 200 F	20.40	20.00	3 15/16	F	A3	7	1 5/16	1 15/16	3 5/8	1 13/16	125
6 C 240 F	24.40	24.00	3 15/16	F	A3	7	1 5/16	1 15/16	3 5/8	1 13/16	165
6 C 270 J	27.40	27.00	3 15/16	J	A3	7 3/4	3/8	1 9/16	4 1/2	1 1/2	190
6 C 300 J	30.40	30.00	4 1/2	J	A3	7 3/4	3/8	1 9/16	4 1/2	1 1/2	229
6 C 360 J	36.40	36.00	4 1/2	J	A3	7 3/4	3/8	1 9/16	4 1/2	1 1/2	270
6 C 440 J	44.40	44.00	4 1/2	J	A3	7 3/4	3/8	1 9/16	4 1/2	1 1/2	301
6 C 500 M	50.40	50.00	5 1/2	M	B3	9 1/2	1/2	1 15/16	6 3/4	7/8	444



STANDARD KEYWAY & KEY DIMENSION

Bores	Key Seat	Key
1/2-9/16	1/8x1/16	1/8x1/8
5/8-7/8	3/16x3/32	3/16x3/16
15/16-1 1/4	1/4x1/8	1/4x1/4
1 5/16-1 3/8	5/16x5/32	5/16x5/16
1 7/16-1 3/4	3/8x3/16	3/8x3/8
1 13/16-2 1/4	1/2x1/4	1/2x1/2
2 5/16-2 3/4	5/8x5/16	5/8x5/8
2 13/16-3 1/4	3/4x3/8	3/4x3/4
3 5/16-3 3/4	7/8x7/16	7/8x7/8
3 13/16-4 1/2	1x1/2	1x1
4 9/16-5 1/2	1 1/4x5/8	1 1/4x1 1/4



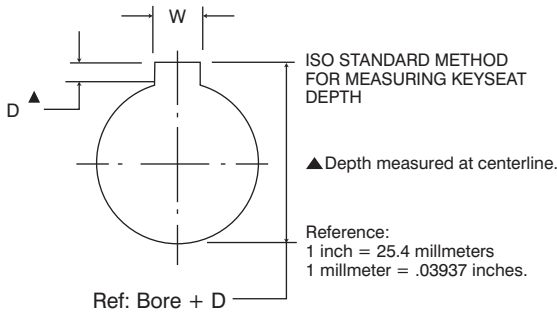
BORE RANGE FOR QTL BUSHING

Bush. Sym.	Min. Bore	Max. Bore with:		
		Full Keyway	Shallow Keyway	No Keyway
SF	1/2	21/4	27/8	2-15/16
E	7/8	2-7/8	3-1/2	—
F	1	3-1/4	3-15/16	4
J	1-1/2	313/16	4-1/2	—
M	2	411/16	51/2	—
N	2-7/16	51/16	5-7/8	—
P	2-15/16	513/16	7	—

C-8

F=8 3/8" (212.73mm)

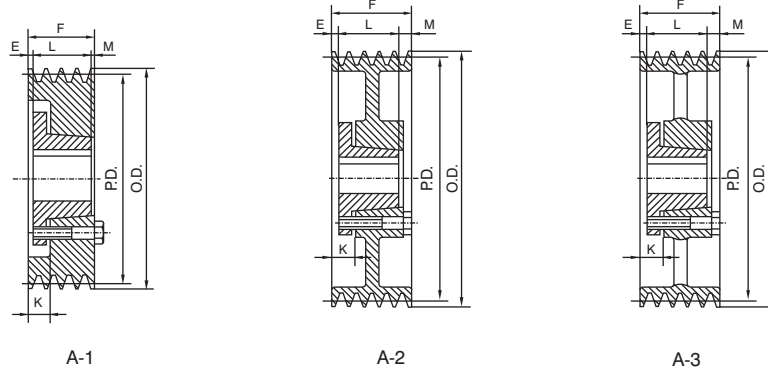
Part No.	O.D.	P.D.	Bush Max Bore	Bush	Type	Db	E	K	L	M	Wgt. Less Bush
8 C 70 SF	7.40	7.00	215/16	SF	A1	—	25/16	3	21/16	4	35
8 C 75 SF	7.90	7.50	215/16	E	A1	—	25/16	3	21/16	4	37
8 C 80 E	8.40	8.00	31/2	E	A1	—	23/8	31/4	25/8	33/8	41
8 C 85 E	8.90	8.50	31/2	E	A1	—	23/8	31/4	25/8	33/8	50
8 C 90 F	9.40	9.00	315/16	F	A1	—	25/16	35/16	35/8	27/16	56
8 C 95 F	9.90	9.50	315/16	F	A1	—	25/16	35/16	35/8	27/16	60
8 C 100 F	10.40	10.00	315/16	F	A1	—	25/16	35/16	35/8	27/16	64
8 C 105 F	10.90	10.50	315/16	F	A1	—	25/16	35/16	35/8	27/16	74
8 C 110 F	11.40	11.00	315/16	F	A1	—	25/16	35/16	35/8	27/16	87
8 C 120 F	12.40	12.00	315/16	F	A1	—	25/16	35/16	35/8	27/16	94
8 C 130 F	13.40	13.00	315/16	F	A3	7	25/16	35/16	35/8	27/16	99
8 C 140 F	14.40	14.00	315/16	F	A3	7	25/16	35/16	35/8	27/16	110
8 C 150 F	15.40	15.00	315/16	F	A3	7	25/16	35/16	35/8	27/16	122
8 C 160 F	16.40	16.00	315/16	F	A3	7	25/16	35/16	35/8	27/16	136
8 C 180 F	18.40	18.00	315/16	F	A3	7	25/16	35/16	35/8	27/16	146
8 C 200 J	20.40	20.00	41/2	J	A3	73/4	3/8	19/16	41/2	31/2	195
8 C 240 J	24.40	24.00	41/2	J	A3	73/4	3/8	19/16	41/2	31/2	216
8 C 270 J	27.40	27.00	41/2	J	A3	73/4	3/8	19/16	41/2	31/2	268
8 C 300 J	30.40	30.00	41/2	J	A3	73/4	3/8	19/16	41/2	31/2	338
8 C 360 M	36.40	36.00	51/2	M	A3	91/2	1/2	115/16	63/4	11/8	413
8 C 440 M	44.40	44.00	51/2	M	A3	91/2	1/2	115/16	63/4	11/8	474
8 C 500 M	50.40	50.00	51/2	M	A3	91/2	1/2	115/16	63/4	11/8	503



STANDARD KEYWAY & KEY DIMENSION

Bores	Key Seat	Key
1/2-9/16	1/8x1/16	1/8x1/8
5/8-7/8	3/16x3/32	3/16x3/16
15/16-11/4	1/4x1/8	1/4x1/4
15/16-13/8	5/16x5/32	5/16x5/16
17/16-13/4	3/8x3/16	3/8x3/8
113/16-21/4	1/2x1/4	1/2x1/2
25/16-23/4	5/8x5/16	5/8x5/8
213/16-31/4	3/4x3/8	3/4x3/4
35/16-33/4	7/8x7/16	7/8x7/8
313/16-41/2	1x1/2	1x1
49/16-51/2	11/4x5/8	11/4x11/4

FOR QTL TAPER BUSHING - SEE PAGE 10



C-10

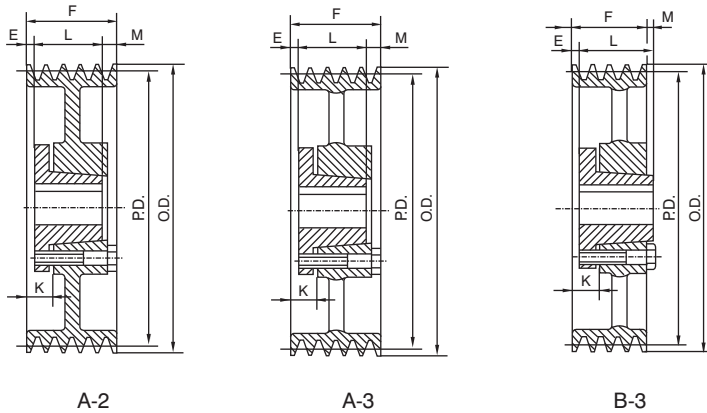
F = 10 3/8" (263.53mm)

Part No.	O.D.	P.D.	Bush Max Bore	Bush	Type	Db	E	K	L	M	Wgt. Less Bush
10 C 80 E	8.40	8.00	3/2	E	A1	—	23/8	31/4	25/8	53/8	42
10 C 85 E	8.90	8.50	3/2	E	A1	—	23/8	31/4	25/8	53/8	48
10 C 90 F	9.40	9.00	315/16	F	A1	—	23/8	39/16	35/8	43/8	54
10 C 95 J	9.90	9.50	41/2	J	A1	—	23/8	39/16	41/2	31/2	60
10 C 100 J	10.40	10.00	41/2	J	A1	—	23/8	39/16	41/2	31/2	68
10 C 105 J	10.90	10.50	41/2	J	A1	—	23/8	39/16	41/2	31/2	75
10 C 110 J	11.40	11.00	41/2	J	A1	—	23/8	39/16	41/2	31/2	90
10 C 120 J	12.40	12.00	41/2	J	A1	—	23/8	39/16	41/2	31/2	106
10 C 130 J	13.40	13.00	41/2	J	A2	73/4	23/8	39/16	41/2	31/2	110
10 C 140 J	14.40	14.00	41/2	J	A2	73/4	23/8	39/16	41/2	31/2	124
10 C 150 J	15.40	15.00	41/2	J	A2	73/4	23/8	39/16	41/2	31/2	138
10 C 160 J	16.40	16.00	41/2	J	A3	73/4	23/8	39/16	41/2	31/2	145
10 C 180 J	18.40	18.00	41/2	J	A3	73/4	23/8	39/16	41/2	31/2	168
10 C 200 J	20.40	20.00	41/2	J	A3	73/4	23/8	39/16	41/2	31/2	182
10 C 240 M	24.40	24.00	51/2	M	A3	91/2	1/2	115/16	63/4	31/8	272
10 C 300 M	30.40	30.00	51/2	M	A3	91/2	1/2	115/16	63/4	31/8	355
10 C 360 M	36.40	36.00	51/2	M	A3	91/2	1/2	115/16	63/4	31/8	455
10 C 440 M	44.40	44.00	51/2	M	A3	91/2	1/2	115/16	63/4	31/8	544
10 C 500 M	50.40	50.00	51/2	M	A3	91/2	1/2	115/16	63/4	31/8	622

C-12

F = 12 3/8" (314.33mm)

Part No.	O.D.	P.D.	Bush Max Bore	Bush	Type	Db	E	K	L	M	WT Less Bush
12 C 90 F	9.40	9.00	315/16	F	A1	—	27/8	41/16	35/8	57/8	63
12 C 95 J	9.90	9.50	41/2	J	A1	—	27/8	41/16	41/2	5	75
12 C 100 J	10.40	10.00	41/2	J	A1	—	27/8	41/16	41/2	5	84
12 C 105 J	10.90	10.50	41/2	J	A1	—	27/8	41/16	41/2	5	89
12 C 110 J	11.40	11.00	41/2	J	A1	—	27/8	41/16	41/2	5	97
12 C 120 J	12.40	12.00	41/2	J	A1	—	27/8	41/16	41/2	5	119
12 C 130 J	13.40	13.00	41/2	J	A2	73/4	27/8	41/16	41/2	5	125
12 C 140 J	14.40	14.00	41/2	J	A2	73/4	27/8	41/16	41/2	5	139
12 C 150 J	15.40	15.00	41/2	J	A2	73/4	27/8	41/16	41/2	5	156
12 C 160 J	16.40	16.00	41/2	J	A3	73/4	27/8	41/16	41/2	5	175
12 C 180 J	18.40	18.00	41/2	J	A3	73/4	27/8	41/16	41/2	5	185
12 C 200 M	20.40	20.00	51/2	M	A3	91/2	1/2	115/16	63/4	51/8	228
12 C 240 M	24.40	24.00	51/2	M	A3	91/2	1/2	115/16	63/4	51/8	287
12 C 270 M	27.40	27.00	51/2	M	A3	91/2	1/2	115/16	63/4	51/8	350
12 C 300 M	30.40	30.00	51/2	M	A3	91/2	1/2	115/16	63/4	51/8	430
12 C 360 M	36.40	36.00	51/2	M	A3	91/2	1/2	115/16	63/4	51/8	565
12 C 440 M	44.40	44.00	51/2	M	A3	91/2	1/2	115/16	63/4	51/8	595
12 C 500 M	50.40	50.00	51/2	M	A3	91/2	1/2	115/16	63/4	51/8	607



D-3

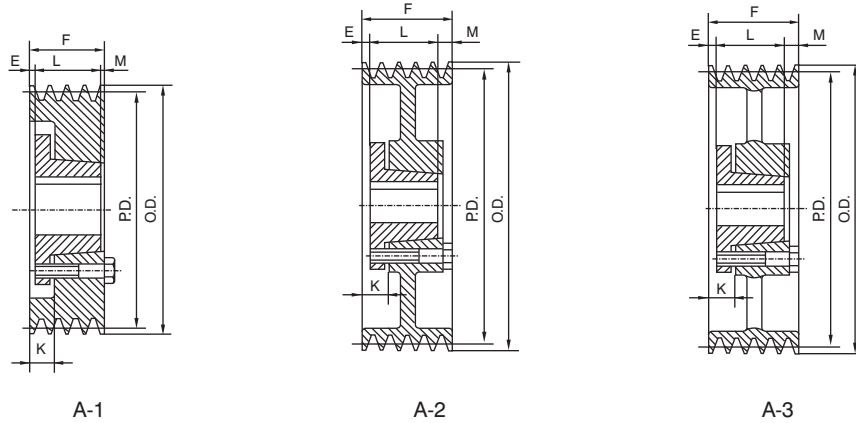
F=4 5/8"(117.48mm)

Part No.	O.D.	P.D.	Bush Max Bore	Bush	Type	Db	E	K	L	M	Wgt. Less Bush
3 D 120 F	12.60	12.00	315/16	F	A2	7	1/2	1 1/2	3 5/8	1/2	58
3 D 130 F	13.60	13.00	315/16	F	A2	7	1/2	1 1/2	3 5/8	1/2	63
3 D 135 F	14.10	13.50	315/16	F	A2	7	1/2	1 1/2	3 5/8	1/2	68
3 D 140 F	14.60	14.00	315/16	F	A2	7	1/2	1 1/2	3 5/8	1/2	71
3 D 145 F	15.10	14.50	315/16	F	A2	7	1/2	1 1/2	3 5/8	1/2	82
3 D 150 F	15.60	15.00	315/16	F	A2	7	1/2	1 1/2	3 5/8	1/2	86
3 D 155 F	16.10	15.50	315/16	F	A2	7	1/2	1 1/2	3 5/8	1/2	93
3 D 160 F	16.60	16.00	315/16	F	A2	7	1/2	1 1/2	3 5/8	1/2	95
3 D 170 F	17.60	17.00	315/16	F	A2	7	1/2	1 1/2	3 5/8	1/2	99
3 D 180 J	18.60	18.00	4 1/2	J	A3	7 3/4	—	1 3/16	4 1/2	1/8	105
3 D 200 J	20.60	20.00	4 1/2	J	A3	7 3/4	—	1 3/16	4 1/2	1/8	148
3 D 220 J	22.60	22.00	4 1/2	J	A3	7 3/4	—	1 3/16	4 1/2	1/8	164
3 D 270 J	27.60	27.00	4 1/2	J	A3	7 3/4	—	1 3/16	4 1/2	1/8	180
3 D 330 J	33.60	33.00	4 1/2	J	A3	7 3/4	—	1 3/16	4 1/2	1/8	195
3 D 400 J	40.60	40.00	4 1/2	J	A3	7 3/4	—	1 3/16	4 1/2	1/8	260

D-4

F=6 1/16"(153.99mm)

Part No.	O.D.	P.D.	Bush Max Bore	Bush	Type	Db	E	K	L	M	Wgt. Less Bush
4 D 120 F	12.60	12.00	315/16	F	A2	7	15/16	2 5/16	3 5/8	1 1/8	68
4 D 130 F	13.60	13.00	315/16	F	A2	7	15/16	2 5/16	3 5/8	1 1/8	78
4 D 135 F	14.10	13.50	315/16	F	A2	7	15/16	2 5/16	3 5/8	1 1/8	82
4 D 140 F	14.60	14.00	315/16	F	A2	7	15/16	2 5/16	3 5/8	1 1/8	91
4 D 145 F	15.10	14.50	315/16	F	A2	7	15/16	2 5/16	3 5/8	1 1/8	95
4 D 150 F	15.60	15.00	315/16	F	A2	7	15/16	2 5/16	3 5/8	1 1/8	99
4 D 155 F	16.10	15.50	315/16	F	A2	7	15/16	2 5/16	3 5/8	1 1/8	111
4 D 160 F	16.60	16.00	315/16	F	A2	7	15/16	2 5/16	3 5/8	1 1/8	122
4 D 170 J	17.60	17.00	4 1/2	J	A2	7 3/4	1 3/8	2 5/16	4 1/2	3/16	136
4 D 180 J	18.60	18.00	4 1/2	J	A3	7 3/4	1 3/8	2 5/16	4 1/2	3/16	141
4 D 200 J	20.60	20.00	4 1/2	J	A3	7 3/4	3/8	1 9/16	4 1/2	13/16	167
4 D 220 J	22.60	22.00	4 1/2	J	A3	7 3/4	3/8	1 9/16	4 1/2	13/16	183
4 D 270 J	27.60	27.00	4 1/2	J	A3	7 3/4	3/8	1 9/16	4 1/2	13/16	222
4 D 330 M	33.60	33.00	5 1/2	M	B3	9 1/2	1/2	1 15/16	6 3/4	13/16	315
4 D 400 M	40.60	40.00	5 1/2	M	B3	9 1/2	1/2	1 15/16	6 3/4	13/16	337



D-5

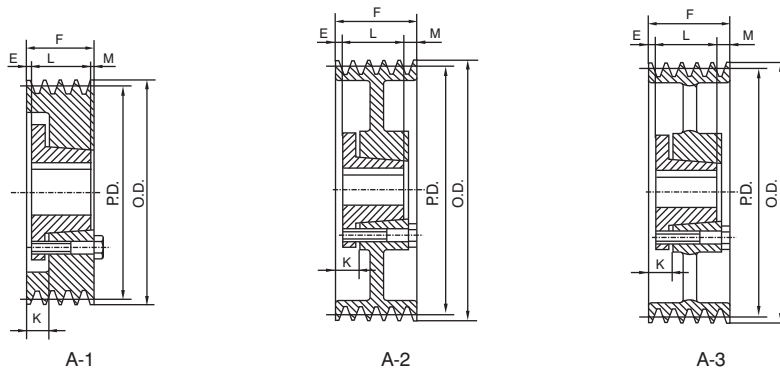
F=7 1/2" (190.50mm)

Part No.	O.D.	PD.	Bush Max Bore	Bush	Type	Db	E	K	L	M	Wgt. Less Bush
5 D 120 F	12.60	12.00	3/15/16	F	A2	7	21/16	31/16	35/8	113/16	87
5 D 130 F	13.60	13.00	3/15/16	F	A2	7	21/16	31/16	35/8	113/16	88
5 D 135 F	14.10	13.50	3/15/16	F	A2	7	21/16	31/16	35/8	113/16	92
5 D 140 F	14.60	14.00	3/15/16	F	A2	7	21/16	31/16	35/8	113/16	96
5 D 145 F	15.10	14.50	3/15/16	F	A2	7	21/16	31/16	35/8	113/16	111
5 D 150 F	15.60	15.00	3/15/16	F	A2	7	21/16	31/16	35/8	113/16	115
5 D 155 F	16.10	15.50	3/15/16	F	A2	7	21/16	31/16	35/8	113/16	121
5 D 160 F	16.60	16.00	3/15/16	F	A2	7	21/16	31/16	35/8	113/16	128
5 D 170 J	17.60	17.00	41/2	J	A2	73/4	3/8	19/16	41/2	25/8	135
5 D 180 J	18.60	18.00	41/2	J	A3	73/4	3/8	19/16	41/2	25/8	148
5 D 200 J	20.60	20.00	41/2	J	A3	73/4	3/8	19/16	41/2	25/8	184
5 D 220 J	22.60	22.00	41/2	J	A3	73/4	3/8	19/16	41/2	25/8	202
5 D 270 M	27.60	27.00	51/2	M	A3	91/2	1/2	115/16	63/4	1/4	250
5 D 330 M	33.60	33.00	51/2	M	A3	91/2	1/2	115/16	63/4	1/4	280
5 D 400 M	40.60	40.00	51/2	M	A3	91/2	1/2	115/16	63/4	1/4	380

D-6

F=8 15/16" (227.01mm)

Part No.	O.D.	PD.	Bush Max Bore	Bush	Type	Db	E	K	L	M	Wgt. Less Bush
6 D 120 J	12.60	12.00	41/2	J	A1	—	21/8	35/16	41/2	25/16	104
6 D 130 J	13.60	13.00	41/2	J	A1	—	21/8	35/16	41/2	25/16	122
6 D 135 J	14.10	13.50	41/2	J	A1	—	21/8	35/16	41/2	25/16	125
6 D 140 J	14.60	14.00	41/2	J	A1	—	21/8	35/16	41/2	25/16	128
6 D 145 J	15.10	14.50	41/2	J	A1	—	21/8	35/16	41/2	25/16	130
6 D 150 J	15.60	15.00	41/2	J	A2	73/4	21/8	35/16	41/2	25/16	136
6 D 155 J	16.10	15.50	41/2	J	A2	73/4	21/8	35/16	41/2	25/16	139
6 D 160 J	16.60	16.00	41/2	J	A2	73/4	21/8	35/16	41/2	25/16	141
6 D 170 J	17.60	17.00	41/2	J	A2	73/4	21/8	35/16	41/2	25/16	154
6 D 180 J	18.60	18.00	41/2	J	A2	73/4	21/8	35/16	41/2	25/16	172
6 D 200 J	20.60	20.00	41/2	J	A2	73/4	21/8	35/16	41/2	25/16	183
6 D 220 M	22.60	22.00	51/2	M	A2	73/4	1/2	115/16	63/4	111/16	272
6 D 270 M	27.60	27.00	51/2	M	A3	91/2	1/2	115/16	63/4	111/16	280
6 D 330 M	33.60	33.00	51/2	M	A3	91/2	1/2	115/16	63/4	111/16	356
6 D 400 M	40.60	40.00	51/2	M	A3	91/2	1/2	115/16	63/4	111/16	415
6 D 440 M	44.60	44.00	51/2	M	A3	91/2	1/2	115/16	63/4	111/16	536
6 D 480 M	48.60	48.00	51/2	M	A3	91/2	1/2	115/16	63/4	111/16	572
6 D 580 N	58.60	58.00	6	N	A3	101/2	1/2	21/4	81/8	51/16	1006



D-8

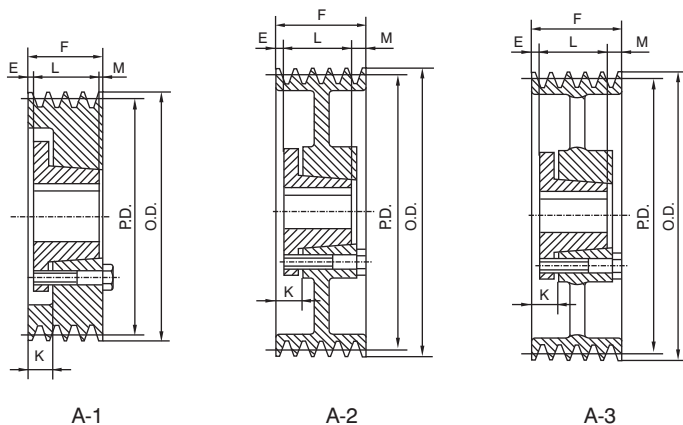
F=11 13/16"(300.04mm)

Part No.	O.D.	P.D.	Bush Max Bore	Bush	Type	Db	E	K	L	M	Wgt. Less Bush
8 D 120 J	12.60	12.00	4 1/2	J	A 1	—	2 3/8	3 9/16	4 1/2	4 15/16	126
8 D 130 J	13.60	13.00	4 1/2	J	A 1	—	2 3/8	3 9/16	4 1/2	4 15/16	147
8 D 135 J	14.10	13.50	4 1/2	J	A 1	—	2 3/8	3 9/16	4 1/2	4 15/16	150
8 D 140 J	14.60	14.00	4 1/2	J	A 1	—	2 3/8	3 9/16	4 1/2	4 15/16	155
8 D 145 J	15.10	14.50	4 1/2	J	A 1	—	2 3/8	3 9/16	4 1/2	4 15/16	160
8 D 150 J	15.60	15.00	4 1/2	J	A 2	7 3/4	2 3/8	3 9/16	4 1/2	4 15/16	176
8 D 155 J	16.10	15.50	4 1/2	J	A 2	7 3/4	2 3/8	3 9/16	4 1/2	4 15/16	180
8 D 160 J	16.60	16.00	4 1/2	J	A 2	7 3/4	2 3/8	3 9/16	4 1/2	4 15/16	200
8 D 170 M	17.60	17.00	5 1/2	M	A 1	—	2 1/2	3 15/16	6 3/4	2 9/16	225
8 D 180 M	18.60	18.00	5 1/2	M	A 2	9 1/2	2 1/2	3 15/16	6 3/4	2 9/16	250
8 D 200 M	20.60	20.00	5 1/2	M	A 2	9 1/2	2 1/2	3 15/16	6 3/4	2 9/16	270
8 D 220 M	22.60	22.00	5 1/2	M	A 2	9 1/2	1/2	1 15/16	6 3/4	4 9/16	316
8 D 270 M	27.60	27.00	5 1/2	M	A 3	9 1/2	1/2	1 15/16	6 3/4	4 9/16	440
8 D 330 M	33.60	33.00	5 1/2	M	A 3	9 1/2	1/2	1 15/16	6 3/4	4 9/16	458
8 D 400 N	40.60	40.00	6	N	A 3	10 1/2	1/2	2 1/4	8 1/8	3 9/16	638
8 D 440 N	44.60	44.00	6	N	A 3	10 1/2	1/2	2 1/4	8 1/8	3 9/16	616
8 D 480 N	48.60	48.00	6	N	A 3	10 1/2	1/2	2 1/4	8 1/8	3 9/16	755
8 D 580 N	58.60	58.00	6	N	A 3	10 1/2	1/2	2 1/4	8 1/8	3 9/16	1112

D-10

F=14 11/16"(373.06mm)

Part No.	O.D.	P.D.	Bush Max Bore	Bush	Type	Db	E	K	L	M	Wgt. Less Bush
10 D 120 M	12.60	12.00	5 1/2	M	A 1	—	2 1/2	3 15/16	6 3/4	5 7/16	158
10 D 130 M	13.60	13.00	5 1/2	M	A 1	—	2 1/2	3 15/16	6 3/4	5 7/16	178
10 D 135 M	14.10	13.50	5 1/2	M	A 1	—	2 1/2	3 15/16	6 3/4	5 7/16	196
10 D 140 M	14.60	14.00	5 1/2	M	A 1	—	2 1/2	3 15/16	6 3/4	5 7/16	207
10 D 145 M	15.10	14.50	5 1/2	M	A 1	—	2 1/2	3 15/16	6 3/4	5 7/16	225
10 D 150 M	15.60	15.00	5 1/2	M	A 1	—	2 1/2	3 15/16	6 3/4	5 7/16	238
10 D 155 M	16.10	15.50	5 1/2	M	A 1	—	2 1/2	3 15/16	6 3/4	5 7/16	260
10 D 160 M	16.60	16.00	5 1/2	M	A 1	—	2 1/2	3 15/16	6 3/4	5 7/16	279
10 D 170 M	17.60	17.00	5 1/2	M	A 1	—	2 1/2	3 15/16	6 3/4	5 7/16	292
10 D 180 M	18.60	18.00	5 1/2	M	A 1	—	2 1/2	3 15/16	6 3/4	5 7/16	330
10 D 200 M	20.60	20.00	5 1/2	M	A 2	9 1/2	2 1/2	3 15/16	6 3/4	5 7/16	340
10 D 220 M	22.60	22.00	5 1/2	M	A 3	9 1/2	1 1/2	2 15/16	6 3/4	6 7/16	355
10 D 270 M	27.60	27.00	5 1/2	M	A 3	9 1/2	1 1/2	2 15/16	6 3/4	6 7/16	398
10 D 330 N	33.60	33.00	6	N	A 3	10 1/2	1 1/2	3 1/4	8 1/8	5 1/16	434
10 D 400 N	40.60	40.00	6	N	A 3	10 1/2	1 1/2	3 1/4	8 1/8	5 1/16	502
10 D 440 N	44.60	44.00	6	N	A 3	10 1/2	1 1/2	3 1/4	8 1/8	5 1/16	727
10 D 480 P	48.60	48.00	6 3/4	P	A 3	13	5/8	2 5/8	9 3/8	4 11/16	755
10 D 580 P	58.60	58.00	6 3/4	P	A 3	13	5/8	2 5/8	9 3/8	4 11/16	1286



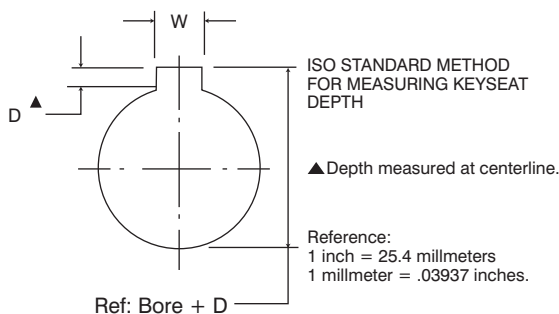
BORE RANGE FOR QTL BUSHING

Bush. Sym.	Min. Bore	Max. Bore with:		
		Full Keyway	Shallow Keyway	No Keyway
SF	1/2	2 1/4	2 7/8	2-15/16
E	7/8	2-7/8	3-1/2	—
F	1	3-1/4	3-15/16	4
J	1-1/2	3 13/16	4-1/2	—
M	2	4 11/16	5 1/2	—
N	2-7/16	5 1/16	5-7/8	—
P	2-15/16	5 13/16	7	—

D-12

F = 17 9/16" (446.09mm)

Part No.	O.D.	PD.	Bush Max Bore	Bush	Type	Db	E	K	L	M	Wgt. Less Bush
12 D 120 M	12.60	12.00	5 1/2	M	A1	—	3 1/2	4 15/16	6 3/4	7 5/16	158
12 D 130 M	13.60	13.00	5 1/2	M	A1	—	3 1/2	4 15/16	6 3/4	7 5/16	176
12 D 135 M	14.10	13.50	5 1/2	M	A1	—	3 1/2	4 15/16	6 3/4	7 5/16	219
12 D 140 M	14.60	14.00	5 1/2	M	A1	—	3 1/2	4 15/16	6 3/4	7 5/16	242
12 D 145 M	15.10	14.50	5 1/2	M	A1	—	3 1/2	4 15/16	6 3/4	7 5/16	256
12 D 150 M	15.60	15.00	5 1/2	M	A1	—	3 1/2	4 15/16	6 3/4	7 5/16	266
12 D 155 M	16.10	15.50	5 1/2	M	A1	—	3 1/2	4 15/16	6 3/4	7 5/16	287
12 D 160 M	16.60	16.00	5 1/2	M	A1	—	3 1/2	4 15/16	6 3/4	7 5/16	308
12 D 170 M	17.60	17.00	5 1/2	M	A1	—	3 1/2	4 15/16	6 3/4	7 5/16	325
12 D 180 M	18.60	18.00	5 1/2	M	A1	—	3 1/2	4 15/16	6 3/4	7 5/16	330
12 D 200 M	20.60	20.00	5 1/2	M	A2	9 1/2	3 1/2	4 15/16	6 3/4	7 5/16	340
12 D 220 M	22.60	22.00	5 1/2	M	A2	9 1/2	2 1/2	3 15/16	6 3/4	8 5/16	355
12 D 270 N	27.60	27.00	5 1/2	N	A3	10 1/2	2 1/2	4 1/4	6 3/4	6 15/16	392
12 D 330 N	33.60	33.00	6	N	A3	10 1/2	2 1/2	4 1/4	6 3/4	6 15/16	505
12 D 400 P	40.60	40.00	6 3/4	P	A3	13	5/8	2 5/8	8 1/8	7 9/16	946
12 D 440 P	44.60	44.00	6 3/4	P	A3	13	5/8	2 5/8	8 1/8	7 9/16	1065
12 D 480 P	48.60	48.00	6 3/4	P	A3	13	5/8	2 5/8	8 1/8	7 9/16	1155
12 D 580 P	58.60	58.00	6 3/4	P	A3	13	5/8	2 5/8	8 1/8	7 9/16	1576



STANDARD KEYWAY & KEY DIMENSION

Bores	Key Seat	Key
1 13/16-2 1/4	1/2x1/4	1/2x1/2
2 5/16-2 3/4	5/8x5/16	5/8x5/8
2 13/16-3 1/4	3/4x3/8	3/4x3/4
3 5/16-3 3/4	7/8x7/16	7/8x7/8
3 13/16-4 1/2	1x1/2	1x1
4 9/16-5 1/2	1 1/4x5/8	1 1/4x1 1/4
5 9/16-6 1/2	1 1/2x3/4	1 1/2x1 1/2
6 9/16-7 1/2	1 3/4x7/8	1 3/4x1 3/4

Dimensions: inch

A/B-C-D